

8

## Stainless steel

V2A  
EN 1.4301  
AISI 304

V4A  
EN 1.44.04  
AISI 3162

### ► CABLE TRAYS

I4KBSI	Cable tray with interlocking ends	517
I6KBSI60	Cable tray with interlocking ends	518
I4KG60	Cable tray not perforated	519
I6KG60	Cable tray not perforated	520
I4D	Universal cover	521
I6D	Universal cover	521

### ► CABLE TRAYS ACCESSORIES

I6B90	Horizontal bend 90°	521
I6DB90	Cover for horizontal bend 90°	522
I6AS	Horizontal adapter 90°	522
I6DAS	Cover for horizontal adapter 90°	522
I6DS60	Hinged joiner	523
I6SLOS	Bolt-in partition	523
I6V60.200	Joiner	523
KBV	Fast locking for KBSI	524
DCL	Cover clamp clips	524

### ► FITTINGS

I6P1019	Fitting Square 40x40 D9	524
I6P1020	Fitting Square 40x40 D13	525
I6P1026	Fitting 90° angle L 2D14	525
I6P1031	Fitting flat T 4D14	525
I6P1033	Fitting 90° angle T 3D14	526
I6P1036	Fitting flat L 3D14	526
I6P1037	Fitting 90° angle Lb 3D14	526
I6P1043	OM41 Fitting double profile 6D14	527
I6P1044	C96 Fitting 4D14	527
I6P1045	Z41 Fitting single profile 3D14	527
I6P1047	OM41 Fitting single profile 5D14	528
I6P1063	Square washer 32x32	528
I6P1065	Fitting flat 2D14	528
I6P1066	Fitting flat 3D14	529
I6P1067	Fitting flat 4D14	529
I6P1068	Fitting 90° angle L 2D14	529
I6P1074	Fitting angle 45° 4D14	530
I6P1580	Fitting flat X 4D14	535
I6P1186	Fitting angle 135° 2D14	530
I6P1271	I-beam clamp C63	530
I6P1272	I-beam clamp C25	531
I6P1278	Fitting 90° angle L 4D14	531
I6P1325	Fitting 90° angle L 4D14	531
I6P1326	Fitting 90° angle L 2D14	532
I6P1346	Fitting 90° angle L 3D14	532
I6P1347	Z47 Fitting single profile 2D14	532
I6P1358	Fitting flat TR 4D14	533
I6P1359	Fitting 90° angle LTR 4D14	533
I6P1377	U184 Fitting 4D14	533
I6P1386	I-beam clamp notch M12	534
I6P1453	Z83 Fitting double profile 3D14	534
I6P1458	Fitting 90° angle L 3D14	534
I6P1546	Fitting angle 45° 2D14	535
I6P1727	Fitting 90° angle LTR 4D14	535
I6P1737	OM83 Fitting double profile 3D14	536
I6P1796	I-beam clamp S41	536
I6P1796-A	I-beam clamp S21	536
I6P1796-B	I-beam clamp S83	537
I6P1941	Fitting flat 5D14	537
I6P1983	Z50 Clamp	537
I6P2072A	Base plate 152 single profile 10D14	538
I6P2072-S1	Base plate 93 single profile 1D14	538
I6P2072-S2	Base plate 93 single profile 1D14	538
I6P2073	Base plate 193 double profile 6D14	539
I6P2073A	Base plate 152 double profile 12D14	539
I6P2095	Fitting angle 75° 2D14	539
I6P2097	Fitting angle 60° 2D14	540

I6P2106	Fitting angle 105° 2D14	540
I6P2108	Fitting angle 120° 2D14	540
I6P2223	Wing fitting 2L 4D14	541
I6P2341R	Wing fitting LR 2D14	541
I6P2341L	Wing fitting LL 2D14	541
I6P2346	Wing fitting U 8D14	542
I6P2348-S1	Base plate TR305 single profile 8D14	542
I6P2348-S2	Base plate TR305 double profile 10D14	542
I6P2484	Fitting 90° angle TR 7D14	543
I6P2785	Beam Fitting H21-41	543
I6P2786	Beam Fitting H62-83	543
I6P3087	Beam clamp internal	544
I6P4045	Z21 Fitting single profile 2D14	544
I6P4047	OM21 Fitting 3D14	544
I6PNL06-I6PNL12A	Sliding nut for supporting profile	545
I6PNS06-I6PNS12A	Sliding nut for supporting profile	545
I6PNP06-I6PNP12A	Sliding nut for supporting profile	545
<b>▶ PROFILES</b>		
I4P1000T	Single Profile H41 slotted M12	546
I6P1000	Single Profile H41	547
I6P1000T	Single Profile H41 slotted M12	548
I6P1001T	Double Profile H83 slotted M12	548
I6P3300	Single Profile H21	548
I4P3300T10	Single profile H21 slotted M10	549
I6P3300T10	Single profile H21 slotted M10	549
I6P3301T10	Double Profile H41 slotted M10	549
<b>▶ WIRE CABLE TRAYS</b>		
I6VF60	Wire cable tray for heavy duty	550
I6D	Universal cover	550
DCLVF	Cover clamp clips	551
<b>▶ WIRE CABLE TRAYS ACCESSORIES</b>		
I6KPVF	Joiner for wire cable tray	551
I6VFK	Joining clamp	551
I6VFKK25	Joining clamp	552
I6VFKG30	Joining clamp	552
I6VFKS	Support joiner for wire cable tray	552
I6VFCB	Central suspension bracket	553
I6VFM	Wall bracket	553
I6VFO	Suspension piece	554
I6VFMM	Wall and mounting bracket	554
I6VMB	Floor and wall bracket	554
<b>▶ KLL CABLE LADDERS</b>		
I4KLLI60	Cable ladder interlocking ends	555
I6KLLI60	Cable ladder interlocking ends	556
I4KLL110	Cable ladder	557
I6KLL110	Cable ladder	558
<b>▶ KLL ACCESSORIES CABLE LADDERS</b>		
I4D	Universal cover	559
I6D	Universal cover	559
I4KLLDK	Cover clamp for I4KLL	559
I6KLLDK	Cover clamp for I6KLL	560
I6KLLABD	Distance bracket for cover I6KLL	560
I6KLLB	Horizontal bend for I6KLL	561
I6KLLT	T-piece for I6KLL	561
I6KLLX	Cross-over for I6KLL	562
I6KLLVB	External riser for I6KLL	562
I6KLLSB	Internal riser for I6KLL	563
I6KLLVSB	Flexible (rising / low) bend for I6KLL	563
I6KLLAH	Horizontal branch hook for I6KLL	564
I6KLLAHV	Vertical branch hook for I6KLL	564
I6KLLDSH	Horizontal hinged joiner for I6KLL	564
I6KLLDSV	Vertical hinged joiner for I6KLL	565
I6KLLVS	Reducing plate for I6KLL	565
I6KLLVST	Floor support for I6KLL	565
I6KLLKP	Joiner for I6KLL	566

I6KLLBK	Bracket clamp for I6KLL	567
DOPKLL	End cap for KLL	567
I6SLOS	Bolt-in partition	567
<b>▶ KLM CABLE LADDERS</b>		
I6KLM	Cable ladder height 125	568
<b>▶ KLM ACCESSORIES CABLE LADDERS</b>		
I6DIG	Cover industrial	569
I6DKIG	Cover clamp	569
I6KLMZWABD	Distance bracket cover I6KLM/I6KLZ/I6KLW	569
I6KLMB	Horizontal bend for I6KLM	570
I6KLMT	T-piece for I6KLM	570
I6KLMX	Cross-over for I6KLM	571
I6KLMVB	External riser for I6KLM	571
I6KLMSB	Internal riser for I6KLM	572
I6KLMVSB	Flexible (rising / low) bend for I6KLM	572
I6KLMAH	Horizontal branch hook for I6KLM	572
I6KLMAHV	Vertikal branch hook for I6KLM	573
I6KLMDSH	Horizontal hinged joiner for I6KLM	573
I6KLMDSV	Vertical hinged joiner for I6KLM	573
I6KLMVST	Floor support for I6KLM	574
I6KLMVS	Reducing plate for I6KLM	574
I6KLMZWAB	Distance bracket for I6KLM/I6KLZ/I6KLW	574
I6KLMKP	Joiner for I6KLM	575
I6KLMZWBK	Bracket clamp for I6KLM/I6KLZ/I6KLW	575
DOPKLM	End cap for KLM	576
I6SLOS	Bolt-in partition	576
<b>▶ KLZ CABLE LADDERS</b>		
I6KLZ	Cable ladder height 150	577
<b>▶ KLZ ACCESSORIES CABLE LADDERS</b>		
I6DIG	Cover	578
I6DKIG	Cover clamp	578
I6KLMZWABD	Distance bracket cover I6KLM/I6KLZ/I6KLW	578
I6KLZB	Horizontal bend for I6KLZ	579
I6KLZT	T-piece for I6KLZ	579
I6KLZX	Cross-over for I6KLZ	580
I6KLZVB	External riser for I6KLZ	580
I6KLZSB	Internal riser for I6KLZ	581
I6KLZVSB	Flexible (rising / low) bend for I6KLZ	581
I6KLZAH	Horizontal branch hook for I6KLZ	582
I6KLZAHV	Vertikal branch hook for I6KLZ	582
I6KLZDSH	Horizontal hinged joiner for I6KLZ	583
I6KLZDSV	Vertical hinged joiner for I6KLZ	583
I6KLZVST	Floor support for I6KLZ	584
I6KLZVS	Reducing plate for I6KLZ	584
I6KLMZWAB	Distance bracket for I6KLM/I6KLZ/I6KLW	584
I6KLZKP	Joiner for I6KLZ	585
I6KLMZWBK	Bracket clamp for I6KLM/I6KLZ/I6KLW	585
DOPKLZ	End cap for KLZ	585
I6SLOS	Bolt-in partition	586
<b>▶ KSF CABLE LADDERS</b>		
I6KSF	Cable Ladder Food and Pharma	586
<b>▶ KSF ACCESSORIES</b>		
I6KSFB	Horizontal bend for I6KSF	587
I6KSFKP	Joiner for I6KSF	587
I6KSFKK	Bracket clamp for I6KSF	587
DOPKS	End cap for HDKS	588
<b>▶ MOUNTING SYSTEMS</b>		
I6PB	Ceiling bracket	588
I4VOMEGA	Joining piece	588
I6VOMEGA	Joining piece	589
I4COMEGA290	Open suspension bracket	589
I6COMEGA290	Open suspension bracket	590
I4LOMEGA150	Bracket / Ceiling profile	590
I6LOMEGA150	Bracket / Ceiling profile	591
I4WK	Welded bracket	591

I6WK	Welded bracket	592
I6WSU	Universal support bracket	592
I6HSLES	Single ceiling profile	593
I6TIM	Threaded rod (DIN 975)	593
I6VM	Toothed round head bolt / flange nut	593
I6PNP06-I6PNP12A	Sliding nut for supporting profile	594
I6GM	Sliding nut for supporting profile	594
I6SN	Sliding nut for supporting profile	594
I6RBK	Round head square neck bolt (DIN 603)	595
I6RB	Toothed round head bolt	595
I6RM	Flange nut (DIN 6923)	595
I6B	Bolt (DIN 933)	596
I6M	Nut (DIN 934)	596
I6CRO	Flat giant washer (DIN 9021)	596
I6RO	Giant washer (DIN 125-1 A)	597
I6PSB - I6135.17.02	Perforated Steel Band	597
I6M1108-I6M1155	Pipe clamps	598
	TECHNICAL INFORMATION	599

## Stainless steel

Stainless steel is used in locations where high resistance to corrosion is a primary requisite as well as on occasion in extreme circumstances (such as high temperature and/or pressure).

Stainless steel consists of an iron alloy which contains a minimum of 10.5% chromium and maximum 1.2% carbon. The quantity of chromium prevents the formation of corrosion in a non-polluted atmosphere. The high corrosion resistance is the result of the formation of a thin oxide film on the surface, which prevents the steel beneath from being damaged. If this oxide film is damaged as a result of mechanical or chemical treatment and the circumstances are such that it is not repaired, then local corrosion may occur, while the remainder of the surface remains unaffected. For example, in an acid, reducing solution it is usually not possible for the metal to form a protective oxide film.

Currently there are some 200 different kinds of steel that may be described as "stainless" steel. Every year modified or new alloys appear. Some alloys now contain almost 30% chromium. In addition, a large number of other elements are added to obtain specific properties, depending on the manufacturing process. Among the added elements are nickel, carbon, titanium, aluminium, copper, sulphur and selenium.

One of the best known standards is that drawn up by the American Iron and Steel Institute (AISI), under which a specific quality of stainless steel is indicated by three figures. Another well-known method is the European standard whereby the stainless steel is characterised using a material number. In practice, the question of the extent to which a specific type of stainless steel defined in terms of the AISI standard corresponds to a material number often arises.

### APPLICATIONS

- Automotive industry;
- Tunnel construction;
- Construction industry;
- Chemical industry;
- Electronic equipment;
- Petroleum industry / petrochemical industry;
- Food industry;
- Aviation;
- Mechanical engineering;
- Medical and pharmaceutical industry;
- Decorative purposes and kitchen equipment.

### VERGOKAN OFFERS 2 DIFFERENT GRADES OF STAINLESS STEEL:

#### 1. AISI - STAINLESS STEEL 304 (EN 1.4301 - V2A)

Chromium: 17.5% - 19.5% / Nickel: 8%-10.5%

##### The general characteristics are as follows:

- Austenitic;
- Good impact resistance at very low temperatures;
- Excellent resistance to corrosion in many oxidizing environments.

#### 2. AISI - STAINLESS STEEL 316 L (EN 1.4404 - V4A)

Chromium: 16.5%-18.5 / Nickel: 10.5%-13% / Molybdenum: 2%-2.5%

##### The general characteristics are as follows:

- Austenitic and heat-resistant steel;
- Very good creep strength at high temperatures (up to 760°C);
- The molybdenum gives stainless steel 316 better overall corrosion resistant properties when compared to most other chromium-nickel types of steel in several corrosive environments, including the maritime climate;
- In atmospheric conditions stainless steel 316 has excellent resistance to corrosion even in the presence of acids, such as nitric acid. The material has excellent resistance to alkaline solutions as well as organic and inorganic salts. In general this material is highly resistant to corrosion in atmospheric conditions including marine environments.

# I4KBSI

## Cable tray with interlocking ends



Interlocking ends  
Alternative perforations  
Return flanges

Standard finish

Stainless Steel 304

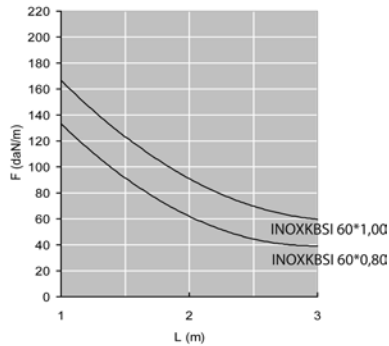
HD	Reference	↓ mm	↔ mm	↔ mm	↔ mm	kg/m	⊞	Stock	Unit
-	<b>I4KBSI60.100.080</b>	60	100	0.80	3000	1.300	3	X	m
-	<b>I4KBSI60.200.080</b>	60	200	0.80	3000	1.900	3	X	m
-	<b>I4KBSI60.300.080</b>	60	300	0.80	3000	2.400	3	X	m
-	<b>I4KBSI60.400.100</b>	60	400	1.00	3000	3.700	3		m

Fix with:

-	<b>KBV</b>	-	-	-	-	0.001	100	X	piece
-	<b>I6VM6.10</b>	-	-	M6	10	0.008	100	X	piece

### LOAD DIAGRAM

Graph valid for I4KBSI60. This diagram illustrates the permissible uniformly distributed loads applied to multiple supports. They comply with IEC 61537 par 10.3.3. test type III with connection to 1/5 of the span.



F = max. admissible load (daN/m)

L = support distance (m)

Max. deflection (m) = L/100

# I6KBSI60

## Cable tray with interlocking ends



Interlocking ends  
Alternative perforations  
Return flanges

Standard finish

Stainless Steel 316

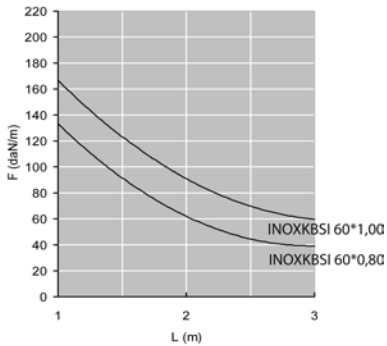
HD	Reference	↑ mm	↔ mm	↔ mm	↔ mm	kg/m	⊞	Stock	Unit
-	<b>I6KBSI60.100.080</b>	60	100	0.80	3000	1.300	3	X	m
-	<b>I6KBSI60.200.080</b>	60	200	0.80	3000	1.900	3	X	m
-	<b>I6KBSI60.300.080</b>	60	300	0.80	3000	2.400	3	X	m
-	<b>I6KBSI60.400.100</b>	60	400	1.00	3000	3.700	3	X	m

Fix with:

-	<b>KBV</b>	-	-	-	-	0.001	100	X	piece
-	<b>I6VM6.10</b>	-	-	M6	10	0.008	100	X	piece

### LOAD DIAGRAM

Graph valid for I6KBSI60. This diagram illustrates the permissible uniformly distributed loads applied to multiple supports. They comply with IEC 61537 par 10.3.3. test type III with connection to 1/5 of the span.



F = max. admissible load (daN/m)

L = support distance (m)

Max. deflection (m) = L/100



# I4KG60

## Cable tray not perforated



Smooth surface  
Return flanges

Standard finish

Stainless Steel 304

HD	Reference	↓ mm	↔ mm	↔ mm	↔ mm	kg/m	⊞	Stock	Unit
-	<b>I4KG60.100.080</b>	60	100	0.80	3000	1.500	30		m
-	<b>I4KG60.200.080</b>	60	200	0.80	3000	2.170	30		m
-	<b>I4KG60.300.080</b>	60	300	0.80	3000	2.770	30		m
-	<b>I4KG60.400.100</b>	60	400	1.00	3000	4.460	30		m

Fix with:

-	<b>I6VM6.10</b>	-	-	M6	10	0.008	100	X	piece
-	<b>I6V60.200</b>	50	200	-	-	0.080	48	X	piece

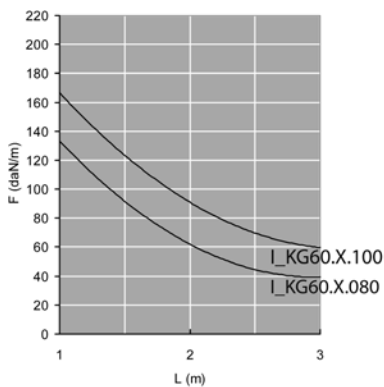
### LOAD DIAGRAM

Graph valid for I4KG60. This diagram illustrates the permissible uniformly distributed loads applied to multiple supports. They comply with IEC 61537 par 10.3.3 test type III with connection to 1/5 of the span.

F = max. admissible load (daN/m)

L = support distance (m)

Max. deflection (m) = L/100



# I6KG60

## Cable tray not perforated



Smooth surface  
Return flanges

Standard finish

Stainless Steel 316

HD	Reference	↓ mm	↔ mm	→ ← mm	↔ mm	kg/m	📦	Stock	Unit
-	<b>I6KG60.100.080</b>	60	100	0.80	3000	1.500	30		m
-	<b>I6KG60.200.080</b>	60	200	0.80	3000	2.170	30		m
-	<b>I6KG60.300.080</b>	60	300	0.80	3000	2.770	30		m
-	<b>I6KG60.400.100</b>	60	400	1.00	3000	4.460	30		m

Fix with:

-	<b>I6VM6.10</b>	-	-	M6	10	0.008	100	X	piece
-	<b>I6V60.200</b>	50	200	-	-	0.080	48	X	piece

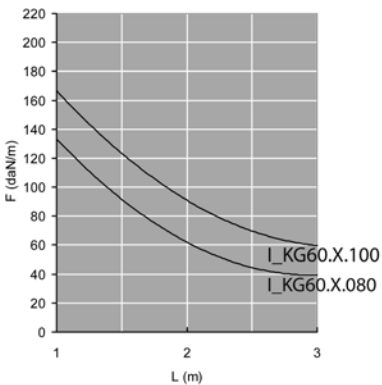
### LOAD DIAGRAM

Graph valid for I6KG60. This diagram illustrates the permissible uniformly distributed loads applied to multiple supports. They comply with IEC 61537 par 10.3.3 test type III with connection to 1/5 of the span.

F = max. admissible load (daN/m)

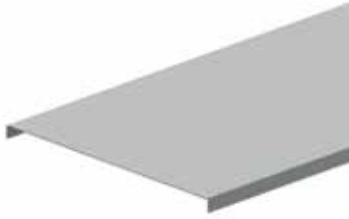
L = support distance (m)

Max. deflection (m) = L/100



# I4D

## Universal cover



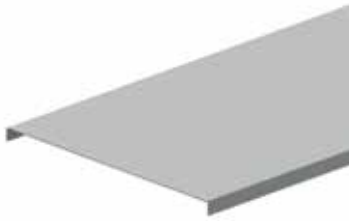
Cover with board height of 10 mm.

Standard finish Stainless Steel 304

HD	Reference	↑ mm	↔ mm	↔ mm	↔ mm	kg/m	⊞	Stock	Unit
-	<b>I4D100</b>	10	102	0.80	3000	0.820	3		m
-	<b>I4D200</b>	10	202	0.80	3000	1.420	3		m
-	<b>I4D300</b>	10	302	0.80	3000	2.100	3		m
-	<b>I4D400</b>	10	402	1.00	3000	4.150	3		m

# I6D

## Universal cover



Cover with board height of 10 mm.

Standard finish Stainless Steel 316

HD	Reference	↑ mm	↔ mm	↔ mm	↔ mm	kg/m	⊞	Stock	Unit
-	<b>I6D100</b>	10	102	0.80	3000	0.820	3		m
-	<b>I6D200</b>	10	202	0.80	3000	1.420	3		m
-	<b>I6D300</b>	10	302	0.80	3000	2.100	3		m
-	<b>I6D400</b>	10	402	1.00	3000	4.150	3		m

Fix with:

-	<b>DCL</b>	-	-	-	-	0.005	100	X	piece
---	------------	---	---	---	---	-------	-----	---	-------

# I6B90

## Horizontal bend 90°



Slides over the cable trays

Radius 100 mm

Standard finish Stainless Steel 316

W	75	100	150	200	300	400	500	600
A	280	305	355	405	505	605	705	805
B	280	305	355	405	505	605	705	805

HD	Reference	↑ mm	↔ mm	↔ mm	↔ mm	kg/ piece	⊞	Stock	Unit
-	<b>I6B90.60.100</b>	60	100		-	0.880	1		piece
-	<b>I6B90.60.200</b>	60	200		-	1.450	1		piece
-	<b>I6B90.60.300</b>	60	300		-	2.130	1		piece
-	<b>I6B90.60.400</b>	60	400		-	2.940	1		piece

Fix with:

-	<b>I6VM6.10</b>	-	-	M6	10	0.008	100	X	piece
---	-----------------	---	---	----	----	-------	-----	---	-------

## I6DB90

### Cover for horizontal bend 90°



Radius 100 mm

Standard finish Stainless Steel 316

	75	100	150	200	300	400	500	600
B	281	306	356	406	506	606	706	806

HD	Reference	↓ mm	↔ mm	↔ mm	↔ mm	kg/ piece	📦	Stock	Unit
-	<b>I6DB90.100</b>	10	106		-	0.400	1		piece
-	<b>I6DB90.200</b>	10	206		-	0.850	1		piece
-	<b>I6DB90.300</b>	10	306		-	1.420	1		piece
-	<b>I6DB90.400</b>	10	406		-	2.130	1		piece

Fix with:

-	<b>DCL</b>	-	-	-	-	0.005	100	X	piece
---	------------	---	---	---	---	-------	-----	---	-------

## I6AS

### Horizontal adapter 90°



Slides over the cable trays

Radius 100 mm

Standard finish Stainless Steel 316

	75	100	150	200	300	400	500	600
A	483	508	558	608	708	808	908	1008

HD	Reference	↓ mm	↔ mm	↔ mm	↔ mm	kg/ piece	📦	Stock	Unit
-	<b>I6AS60.100</b>	60	100		-	0.570	1		piece
-	<b>I6AS60.200</b>	60	200		-	0.710	1		piece
-	<b>I6AS60.300</b>	60	300		-	0.840	1		piece
-	<b>I6AS60.400</b>	60	400		-	0.980	1		piece

Fix with:

-	<b>I6VM6.10</b>	-	-	M6	10	0.008	100	X	piece
---	-----------------	---	---	----	----	-------	-----	---	-------

## I6DAS

### Cover for horizontal adapter 90°



Radius 100 mm

Standard finish Stainless Steel 316

HD	Reference	↓ mm	↔ mm	↔ mm	↔ mm	kg/ piece	📦	Stock	Unit
-	<b>I6DAS100</b>	10	106		-	0.240	1		piece
-	<b>I6DAS200</b>	10	206		-	0.390	1		piece
-	<b>I6DAS300</b>	10	306		-	0.520	1		piece
-	<b>I6DAS400</b>	10	406		-	0.650	1		piece

Fix with:

-	<b>DCL</b>	-	-	-	-	0.005	100	X	piece
---	------------	---	---	---	---	-------	-----	---	-------

## I6DS60

Hinged joiner



Standard finish

Stainless Steel 316

HD	Reference	↓ mm	↔ mm	→  ← mm	↔ mm	kg/ piece	📦	Stock	Unit
-	<b>I6DS60</b>	60			-	0.130	50		piece
Fix with:									
-	<b>I6VM6.10</b>	-	-	M6	10	0.008	100	X	piece

## I6SLOS

Bolt-in partition



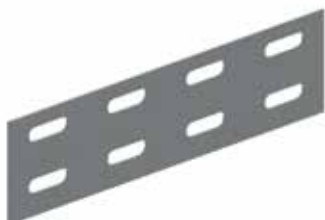
Standard finish

Stainless Steel 316

HD	Reference	↓ mm	↔ mm	→  ← mm	↔ mm	kg/m	📦	Stock	Unit
-	<b>I6SLOS35</b>	35			3000	0.330	3		m
-	<b>I6SLOS60</b>	60			3000	0.510	3		m
-	<b>I6SLOS85</b>	85			3000	0.680	3		m
-	<b>I6SLOS110</b>	110			3000	0.820	3		m
Fix with:									
-	<b>I6VM6.10</b>	-	-	M6	10	0.008	100	X	piece

## I6V60.200

Joiner



Standard finish

Stainless Steel 316

HD	Reference	↓ mm	↔ mm	→  ← mm	↔ mm	kg/ piece	📦	Stock	Unit
-	<b>I6V60.200</b>	50	200		-	0.080	48	X	piece
Fix with:									
-	<b>I6VM6.10</b>	-	-	M6	10	0.008	100	X	piece

## KBV

### Fast locking for KBSI



Standard finish

Stainless Steel

HD	Reference	↑ mm	↔ mm	→ ← mm	↔ mm	kg/ piece	📦	Stock	Unit
-	<b>KBV</b>	-			-	0.001	100	X	piece

To order per full packaging.

## DCL

### Cover clamp clips



2 pieces per meter.  
Not applicable for I4KG / I6KG.

Standard finish

Stainless Steel

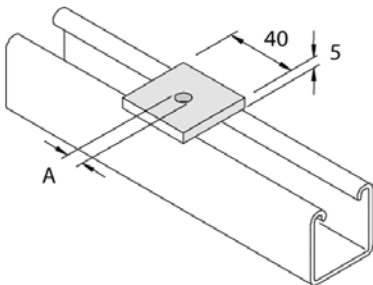
HD	Reference	↑ mm	↔ mm	→ ← mm	↔ mm	kg/ piece	📦	Stock	Unit
-	<b>DCL</b>	-			-	0.005	100	X	piece

To order per full packaging.

## I6P1019

### Fitting Square 40x40 D9

UNISTRUT®



Standard finish

Stainless Steel 316

HD	Reference	↑ mm	↔ mm	→ ← mm	↔ mm	kg/ piece	📦	Stock	Unit
-	<b>I6P1019</b>	-			-	0.062	100	X	piece

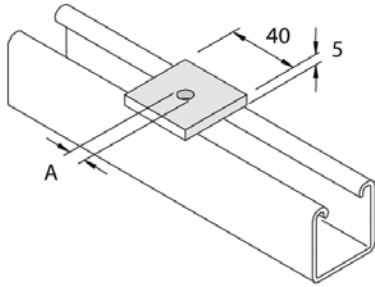
A=9, bolt M6/M8

To order per full packaging.

# I6P1020

Fitting Square 40x40 D13

**UNISTRUT®**



Standard finish

Stainless Steel 316

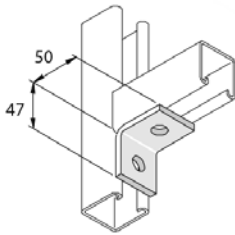
HD	Reference	↓ mm	↔ mm	↔ mm	↔ mm	kg/ piece	📦	Stock	Unit
-	<b>I6P1020</b>	-				0.064	100	X	piece

A=13, bolt M10/M12  
To order per full packaging.

# I6P1026

Fitting 90° angle L 2D14

**UNISTRUT®**



Standard finish

Stainless Steel 316

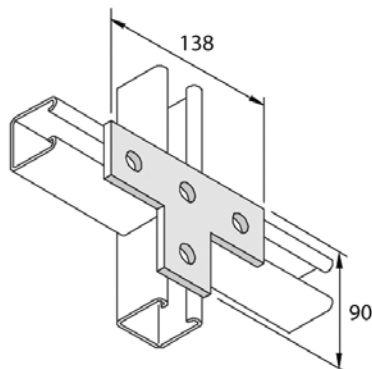
HD	Reference	↓ mm	↔ mm	↔ mm	↔ mm	kg/ piece	📦	Stock	Unit
-	<b>I6P1026</b>	-				0.142	20	X	piece

To order per full packaging.

# I6P1031

Fitting flat T 4D14

**UNISTRUT®**



Standard finish

Stainless Steel 316

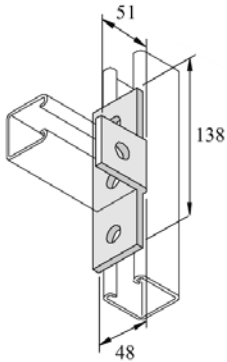
HD	Reference	↓ mm	↔ mm	↔ mm	↔ mm	kg/ piece	📦	Stock	Unit
-	<b>I6P1031</b>	-				0.385	10		piece

To order per full packaging.

**I6P1033**

Fitting 90° angle T 3D14

UNISTRUT®



Standard finish

Stainless Steel 316

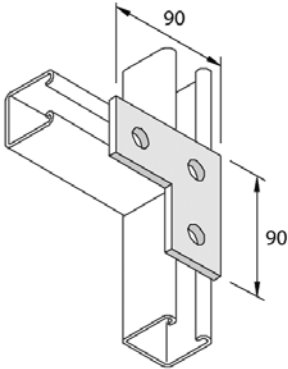
HD	Reference	↕ mm	↔ mm	↔ mm	↔ mm	kg/ piece	📦	Stock	Unit
-	<b>I6P1033</b>	-				0.385	10		piece

To order per full packaging.

**I6P1036**

Fitting flat L 3D14

UNISTRUT®



Standard finish

Stainless Steel 316

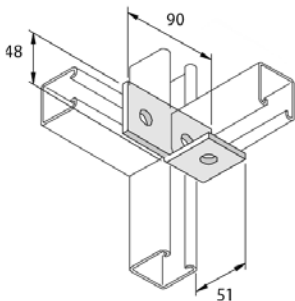
HD	Reference	↕ mm	↔ mm	↔ mm	↔ mm	kg/ piece	📦	Stock	Unit
-	<b>I6P1036</b>	-				0.240	20	X	piece

To order per full packaging.

**I6P1037**

Fitting 90° angle Lb 3D14

UNISTRUT®



Standard finish

Stainless Steel 316

HD	Reference	↕ mm	↔ mm	↔ mm	↔ mm	kg/ piece	📦	Stock	Unit
-	<b>I6P1037</b>	-				0.327	10		piece

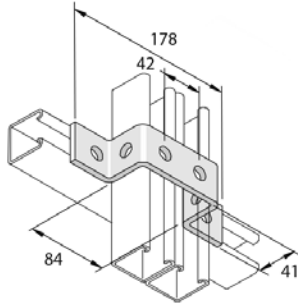
To order per full packaging.



# I6P1043

## OM41 Fitting double profile 6D14

**UNISTRUT®**



Standard finish

Stainless Steel 316

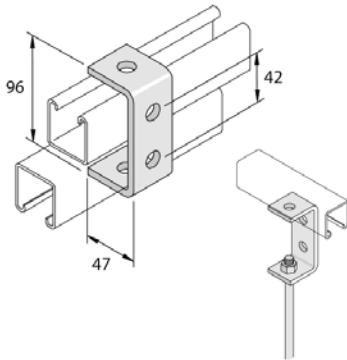
HD	Reference	↓ mm	↔ mm	↔ mm	↔ mm	kg/ piece	📦	Stock	Unit
-	<b>I6P1043</b>	-				0.401	10		piece

To order per full packaging.

# I6P1044

## C96 Fitting 4D14

**UNISTRUT®**



Standard finish

Stainless Steel 316

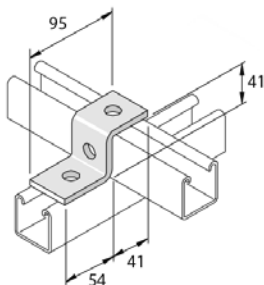
HD	Reference	↓ mm	↔ mm	↔ mm	↔ mm	kg/ piece	📦	Stock	Unit
-	<b>I6P1044</b>	-				0.287	10		piece

To order per full packaging.

# I6P1045

## Z41 Fitting single profile 3D14

**UNISTRUT®**



Standard finish

Stainless Steel 316

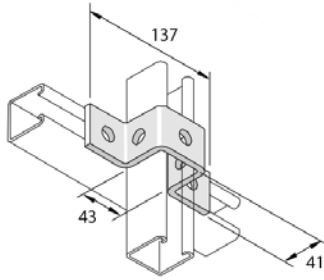
HD	Reference	↓ mm	↔ mm	↔ mm	↔ mm	kg/ piece	📦	Stock	Unit
-	<b>I6P1045</b>	-				0.210	20	X	piece

To order per full packaging.

# I6P1047

## OM41 Fitting single profile 5D14

UNISTRUT®



Standard finish

Stainless Steel 316

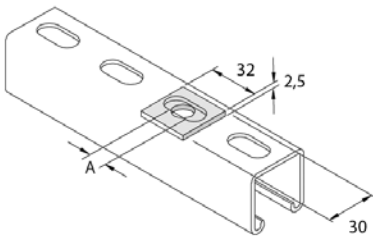
HD	Reference	↑ mm	↔ mm	↔ mm	↔ mm	kg/ piece	📦	Stock	Unit
-	<b>I6P1047</b>	-				0.294	10		piece

To order per full packaging.

# I6P1063

## Square washer 32x32

UNISTRUT®



Standard finish

Stainless Steel 316

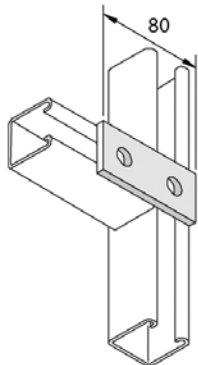
HD	Reference	↑ mm	↔ mm	↔ mm	↔ mm	kg/ piece	📦	Stock	Unit
-	<b>I6P1063/06</b>	-				0.019	20		piece
-	<b>I6P1063/08</b>	-				0.019	20		piece
-	<b>I6P1063/10</b>	-				0.019	20		piece
-	<b>I6P1063/12</b>	-				0.019	20		piece

I6P1063/06: A=8, bolt M6  
 I6P1063/08: A=10, bolt M8  
 I6P1063/10: A=12, bolt M10  
 I6P1063/12: A=14, bolt M12  
 To order per full packaging.

# I6P1065

## Fitting flat 2D14

UNISTRUT®



Standard finish

Stainless Steel 316

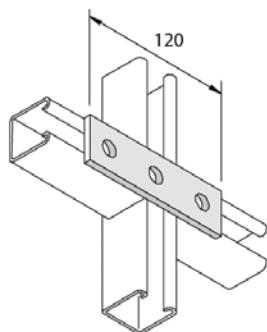
HD	Reference	↑ mm	↔ mm	↔ mm	↔ mm	kg/ piece	📦	Stock	Unit
-	<b>I6P1065</b>	-				0.129	20		piece

To order per full packaging.

# I6P1066

Fitting flat 3D14

UNISTRUT®



Standard finish

Stainless Steel 316

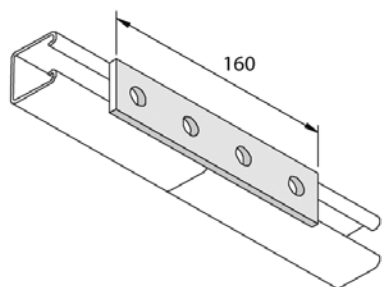
HD	Reference	↓ mm	↔ mm	↔  mm	↔ mm	kg/ piece	📦	Stock	Unit
-	<b>I6P1066</b>	-			-	0.174	20		piece

To order per full packaging.

# I6P1067

Fitting flat 4D14

UNISTRUT®



Standard finish

Stainless Steel 316

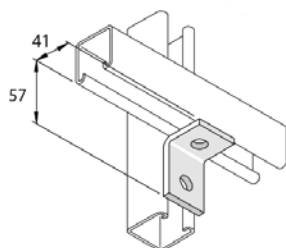
HD	Reference	↓ mm	↔ mm	↔  mm	↔ mm	kg/ piece	📦	Stock	Unit
-	<b>I6P1067</b>	-			-	0.258	20	X	piece

To order per full packaging.

# I6P1068

Fitting 90° angle L 2D14

UNISTRUT®



Standard finish

Stainless Steel 316

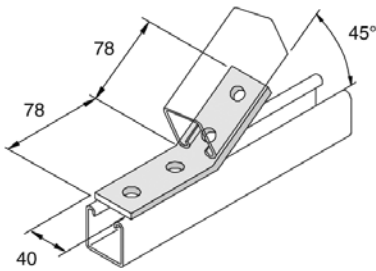
HD	Reference	↓ mm	↔ mm	↔  mm	↔ mm	kg/ piece	📦	Stock	Unit
-	<b>I6P1068</b>	-			-	0.142	20	X	piece

To order per full packaging.

**I6P1074**

Fitting angle 45° 4D14

UNISTRUT®



Standard finish

Stainless Steel 316

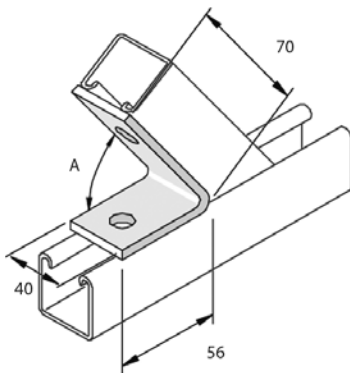
HD	Reference	↑ mm	↔ mm	↔ mm	↔ mm	kg/ piece	📦	Stock	Unit
-	<b>I6P1074</b>	-				0.258	20		piece

To order per full packaging.

**I6P1186**

Fitting angle 135° 2D14

UNISTRUT®



Standard finish

Stainless Steel 316

HD	Reference	↑ mm	↔ mm	↔ mm	↔ mm	kg/ piece	📦	Stock	Unit
-	<b>I6P1186</b>	-				0.194	20		piece

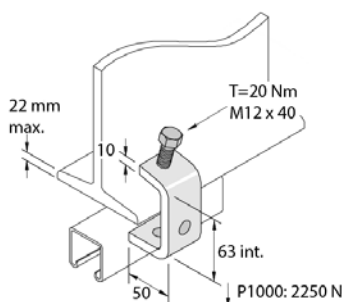
A = 135°

To order per full packaging.

**I6P1271**

I-beam clamp C63

UNISTRUT®



Standard finish

Stainless Steel 316

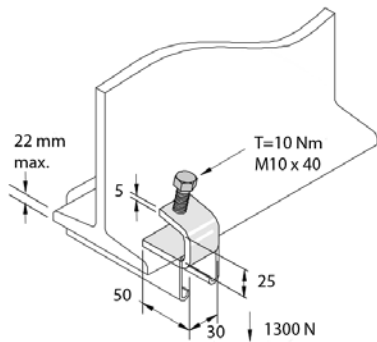
HD	Reference	↑ mm	↔ mm	↔ mm	↔ mm	kg/ piece	📦	Stock	Unit
-	<b>I6P1271</b>	-				0.431	10		piece

To order per full packaging.

# I6P1272

## I-beam clamp C25

UNISTRUT®



Standard finish

Stainless Steel 316

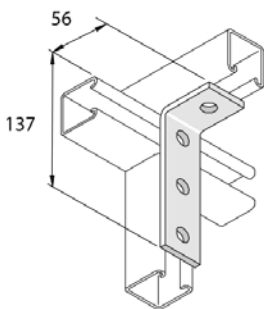
HD	Reference	↓ mm	↔ mm	↔ mm	↔ mm	kg/ piece	📦	Stock	Unit
-	<b>I6P1272</b>	-				0.123	20	X	piece

To order per full packaging.

# I6P1278

## Fitting 90° angle L 4D14

UNISTRUT®



Standard finish

Stainless Steel 316

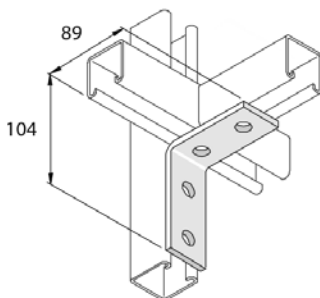
HD	Reference	↓ mm	↔ mm	↔ mm	↔ mm	kg/ piece	📦	Stock	Unit
-	<b>I6P1278</b>	-				0.297	20		piece

To order per full packaging.

# I6P1325

## Fitting 90° angle L 4D14

UNISTRUT®



Standard finish

Stainless Steel 316

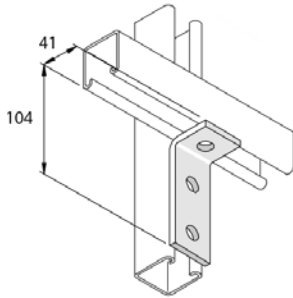
HD	Reference	↓ mm	↔ mm	↔ mm	↔ mm	kg/ piece	📦	Stock	Unit
-	<b>I6P1325</b>	-				0.297	10	X	piece

To order per full packaging.

**I6P1326**

Fitting 90° angle L 2D14

UNISTRUT®



Standard finish

Stainless Steel 316

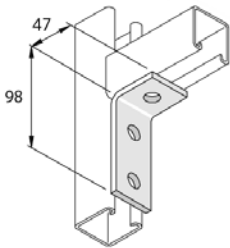
HD	Reference	↑ mm	↔ mm	↔ mm	↔ mm	kg/ piece	📦	Stock	Unit
-	<b>I6P1326</b>	-				0.219	20	X	piece

To order per full packaging.

**I6P1346**

Fitting 90° angle L 3D14

UNISTRUT®



Standard finish

Stainless Steel 316

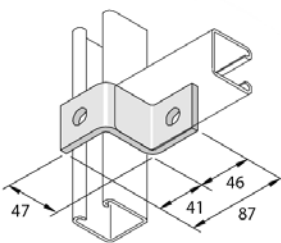
HD	Reference	↑ mm	↔ mm	↔ mm	↔ mm	kg/ piece	📦	Stock	Unit
-	<b>I6P1346</b>	-				0.221	20		piece

To order per full packaging.

**I6P1347**

Z47 Fitting single profile 2D14

UNISTRUT®



Standard finish

Stainless Steel 316

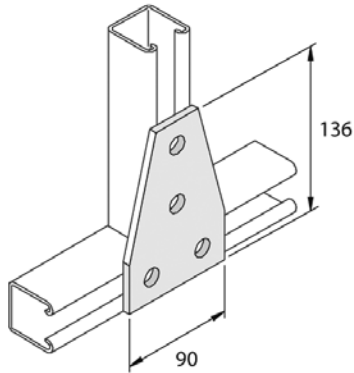
HD	Reference	↑ mm	↔ mm	↔ mm	↔ mm	kg/ piece	📦	Stock	Unit
-	<b>I6P1347</b>	-				0.208	20		piece

To order per full packaging.

# I6P1358

Fitting flat TR 4D14

**UNISTRUT®**



Standard finish

Stainless Steel 316

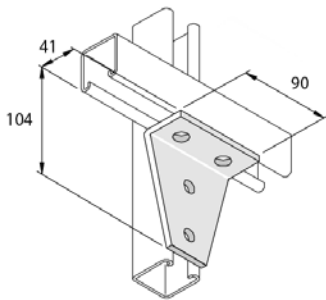
HD	Reference	↓ mm	↔ mm	↔ ← mm	↔ mm	kg/ piece	📦	Stock	Unit
-	<b>I6P1358</b>	-			-	0.494	10		piece

To order per full packaging.

# I6P1359

Fitting 90° angle LTR 4D14

**UNISTRUT®**



Standard finish

Stainless Steel 316

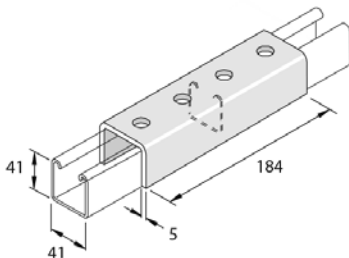
HD	Reference	↓ mm	↔ mm	↔ ← mm	↔ mm	kg/ piece	📦	Stock	Unit
-	<b>I6P1359</b>	-			-	0.494	10		piece

To order per full packaging.

# I6P1377

U184 Fitting 4D14

**UNISTRUT®**



Standard finish

Stainless Steel 316

HD	Reference	↓ mm	↔ mm	↔ ← mm	↔ mm	kg/ piece	📦	Stock	Unit
-	<b>I6P1377</b>	-			-	0.918	10		piece

To order per full packaging.

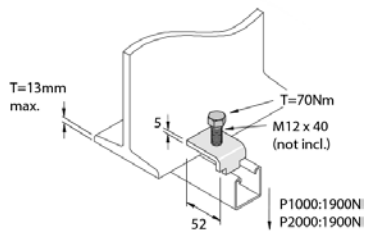
# I6P1386

## I-beam clamp notch M12

UNISTRUT®

Standard finish

Stainless Steel 316



HD	Reference	↑ mm	↔ mm	↔ mm	↔ mm	kg/ piece	📦	Stock	Unit
-	<b>I6P1386</b>	-				0.114	20	X	piece

To order per full packaging.

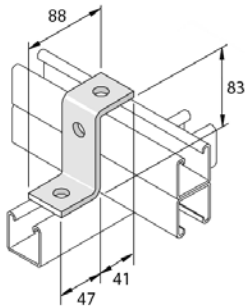
# I6P1453

## Z83 Fitting double profile 3D14

UNISTRUT®

Standard finish

Stainless Steel 316



HD	Reference	↑ mm	↔ mm	↔ mm	↔ mm	kg/ piece	📦	Stock	Unit
-	<b>I6P1453</b>	-				0.266	10		piece

To order per full packaging.

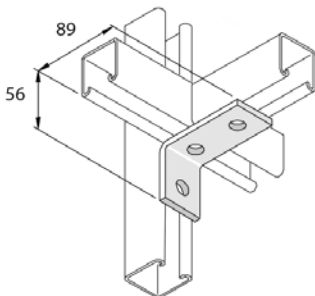
# I6P1458

## Fitting 90° angle L 3D14

UNISTRUT®

Standard finish

Stainless Steel 316



HD	Reference	↑ mm	↔ mm	↔ mm	↔ mm	kg/ piece	📦	Stock	Unit
-	<b>I6P1458</b>	-				0.219	10		piece

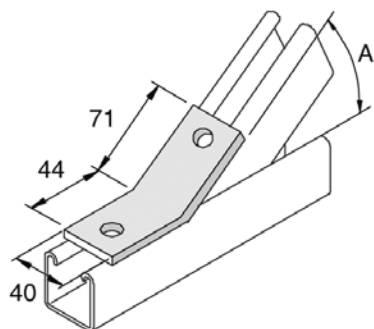
To order per full packaging.



# I6P1546

Fitting angle 45° 2D14

UNISTRUT®



Standard finish

Stainless Steel 316

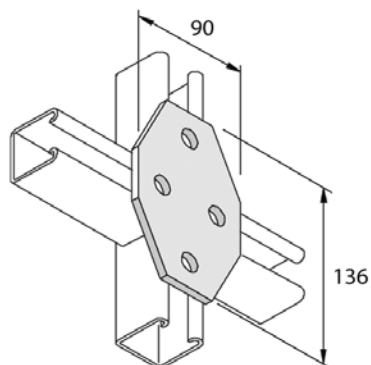
HD	Reference	↓ mm	↔ mm	↔  mm	↔ mm	kg/ piece	📦	Stock	Unit
-	I6P1546	-			-	0.194	10		piece

To order per full packaging.

# I6P1580

Fitting flat X 4D14

UNISTRUT®



Standard finish

Stainless Steel 316

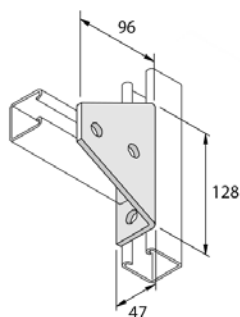
HD	Reference	↓ mm	↔ mm	↔  mm	↔ mm	kg/ piece	📦	Stock	Unit
-	I6P1580\$	-			-	0.494	10		piece

To order per full packaging.

# I6P1727

Fitting 90° angle LTR 4D14

UNISTRUT®



Standard finish

Stainless Steel 316

HD	Reference	↓ mm	↔ mm	↔  mm	↔ mm	kg/ piece	📦	Stock	Unit
-	I6P1727	-			-	0.698	10		piece

To order per full packaging.

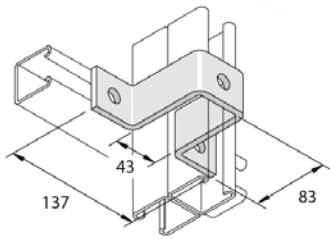
# I6P1737

## OM83 Fitting double profile 3D14

UNISTRUT®

Standard finish

Stainless Steel 316



HD	Reference	↑ mm	↔ mm	↔ mm	↔ mm	kg/ piece	📦	Stock	Unit
-	<b>I6P1737</b>	-				0.447	10		piece

To order per full packaging.

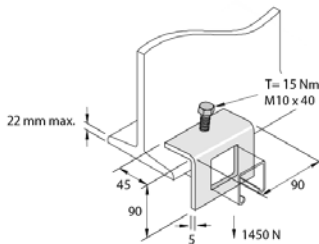
# I6P1796

## I-beam clamp S41

UNISTRUT®

Standard finish

Stainless Steel 316



HD	Reference	↑ mm	↔ mm	↔ mm	↔ mm	kg/ piece	📦	Stock	Unit
-	<b>I6P1796</b>	-				0.465	10		piece

To order per full packaging.

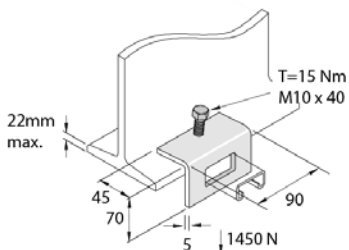
# I6P1796-A

## I-beam clamp S21

UNISTRUT®

Standard finish

Stainless Steel 316



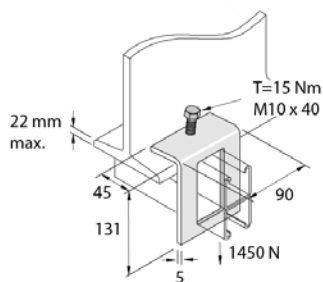
HD	Reference	↑ mm	↔ mm	↔ mm	↔ mm	kg/ piece	📦	Stock	Unit
-	<b>I6P1796-A</b>	-				0.385	10		piece

To order per full packaging.

# I6P1796-B

## I-beam clamp S83

**UNISTRUT®**



Standard finish

Stainless Steel 316

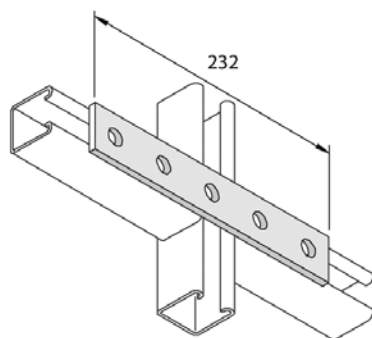
HD	Reference	↓ mm	↔ mm	↔ mm	↔ mm	kg/ piece	📦	Stock	Unit
-	<b>I6P1796-B</b>	-				0.609	10		piece

To order per full packaging.

# I6P1941

## Fitting flat 5D14

**UNISTRUT®**



Standard finish

Stainless Steel 316

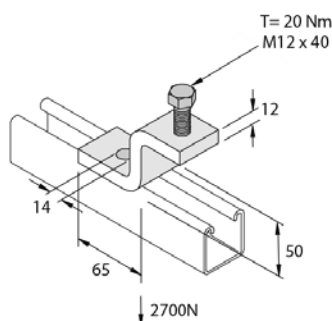
HD	Reference	↓ mm	↔ mm	↔ mm	↔ mm	kg/ piece	📦	Stock	Unit
-	<b>I6P1941</b>	-				0.375	20		piece

To order per full packaging.

# I6P1983

## Z50 Clamp

**UNISTRUT®**



Standard finish

Stainless Steel 316

HD	Reference	↓ mm	↔ mm	↔ mm	↔ mm	kg/ piece	📦	Stock	Unit
-	<b>I6P1983</b>	-				0.389	10		piece

To order per full packaging.

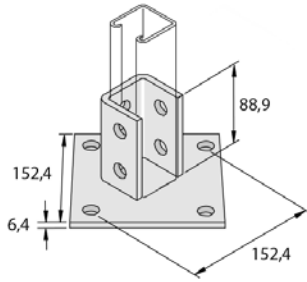
# I6P2072A

UNISTRUT®

## Base plate 152 single profile 10D14

Standard finish

Stainless Steel 316



HD	Reference	↑ mm	↔ mm	↔ mm	↔ mm	kg/ piece	📦	Stock	Unit
-	I6P2072A	-				1.701	1	X	piece

To order per full packaging.

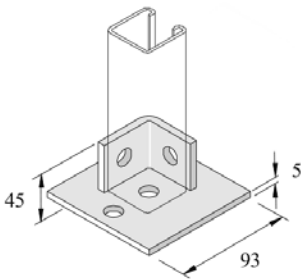
# I6P2072-S1

UNISTRUT®

## Base plate 93 single profile 1D14

Standard finish

Stainless Steel 316



HD	Reference	↑ mm	↔ mm	↔ mm	↔ mm	kg/ piece	📦	Stock	Unit
-	I6P2072-S1	-				-	-		-

To order per full packaging.

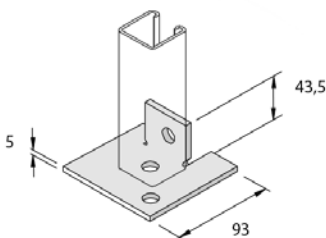
# I6P2072-S2

UNISTRUT®

## Base plate 93 single profile 1D14

Standard finish

Stainless Steel 316



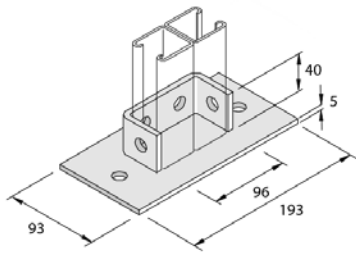
HD	Reference	↑ mm	↔ mm	↔ mm	↔ mm	kg/ piece	📦	Stock	Unit
-	I6P2072-S2	-				-	-		-

To order per full packaging.

# I6P2073

## Base plate 193 double profile 6D14

UNISTRUT®



Standard finish

Stainless Steel 316

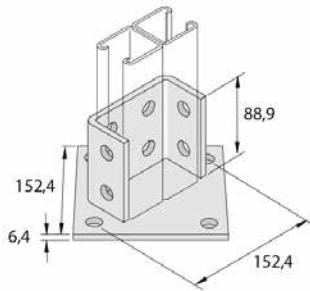
HD	Reference	↓ mm	↔ mm	↔ ← mm	↔ mm	kg/ piece	📦	Stock	Unit
-	I6P2073	-			-	0.977	5		piece

To order per full packaging.

# I6P2073A

## Base plate 152 double profile 12D14

UNISTRUT®



Standard finish

Stainless Steel 316

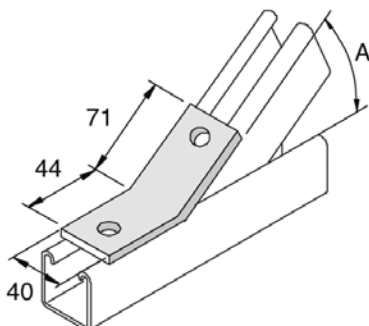
HD	Reference	↓ mm	↔ mm	↔ ← mm	↔ mm	kg/ piece	📦	Stock	Unit
-	I6P2073A	-			-	1.801	1		piece

To order per full packaging.

# I6P2095

## Fitting angle 75° 2D14

UNISTRUT®



Standard finish

Stainless Steel 316

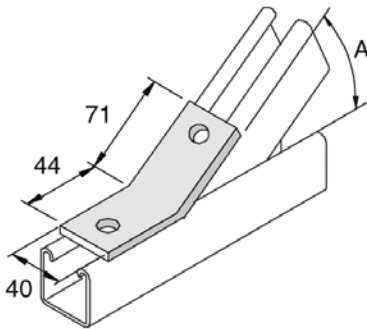
HD	Reference	↓ mm	↔ mm	↔ ← mm	↔ mm	kg/ piece	📦	Stock	Unit
-	I6P2095	-			-	0.194	10		piece

To order per full packaging.

**I6P2097**

Fitting angle 60° 2D14

UNISTRUT®



Standard finish

Stainless Steel 316

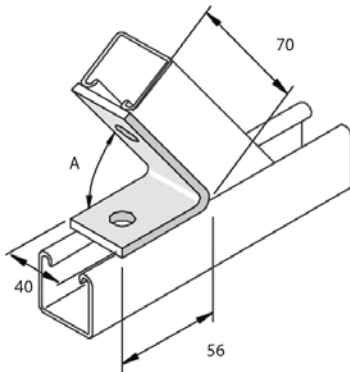
HD	Reference	↓ mm	↔ mm	↔ mm	↔ mm	kg/ piece	📦	Stock	Unit
-	<b>I6P2097</b>	-				0.194	10		piece

To order per full packaging.

**I6P2106**

Fitting angle 75° 2D14

UNISTRUT®



Standard finish

Stainless Steel 316

HD	Reference	↓ mm	↔ mm	↔ mm	↔ mm	kg/ piece	📦	Stock	Unit
-	<b>I6P2106</b>	-				0.194	10		piece

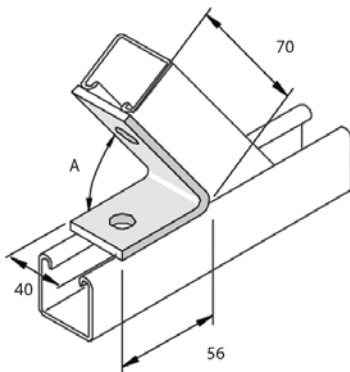
A = 75°

To order per full packaging.

**I6P2108**

Fitting angle 60° 2D14

UNISTRUT®



Standard finish

Stainless Steel 316

HD	Reference	↓ mm	↔ mm	↔ mm	↔ mm	kg/ piece	📦	Stock	Unit
-	<b>I6P2108</b>	-				0.194	20		piece

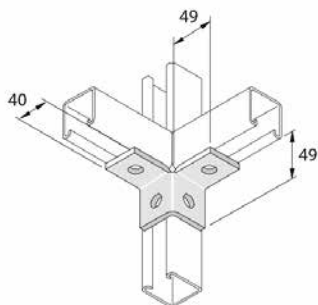
A = 60°

To order per full packaging.

# I6P2223

Wing fitting 2L 4D14

**UNISTRUT®**



Standard finish

Stainless Steel 316

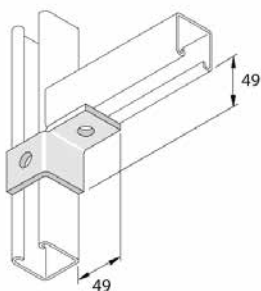
HD	Reference	↓ mm	↔ mm	↔ mm	↔ mm	kg/ piece	📦	Stock	Unit
-	<b>I6P2223</b>	-				0.273	10		piece

To order per full packaging.

# I6P2341R

Wing fitting LR 2D14

**UNISTRUT®**



Standard finish

Stainless Steel 316

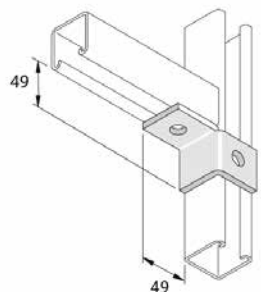
HD	Reference	↓ mm	↔ mm	↔ mm	↔ mm	kg/ piece	📦	Stock	Unit
-	<b>I6P2341R</b>	-				0.209	10		piece

To order per full packaging.

# I6P2341L

Wing fitting LL 2D14

**UNISTRUT®**



Standard finish

Stainless Steel 316

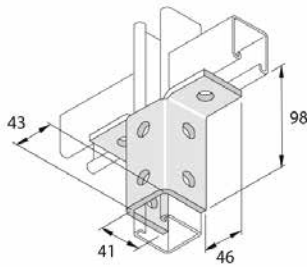
HD	Reference	↓ mm	↔ mm	↔ mm	↔ mm	kg/ piece	📦	Stock	Unit
-	<b>I6P2341L</b>	-				0.209	10		piece

To order per full packaging.

# I6P2346

## Wing fitting U 8D14

UNISTRUT®



Standard finish

Stainless Steel 316

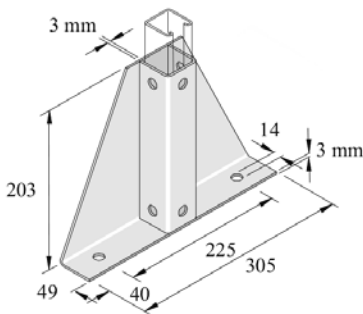
HD	Reference	↑ mm	↔ mm	↔ mm	↔ mm	kg/ piece	📦	Stock	Unit
-	I6P2346	-				0.549	10	X	piece

To order per full packaging.

# I6P2348-S1

## Base plate TR305 single profile 8D14

UNISTRUT®



Standard finish

Stainless Steel 316

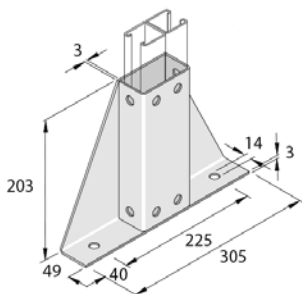
HD	Reference	↑ mm	↔ mm	↔ mm	↔ mm	kg/ piece	📦	Stock	Unit
-	I6P2348-S1	-				1.915	1	X	piece

To order per full packaging.

# I6P2348-S2

## Base plate TR305 double profile 10D14

UNISTRUT®



Standard finish

Stainless Steel 316

HD	Reference	↑ mm	↔ mm	↔ mm	↔ mm	kg/ piece	📦	Stock	Unit
-	I6P2348S2	-				2.104	15		piece

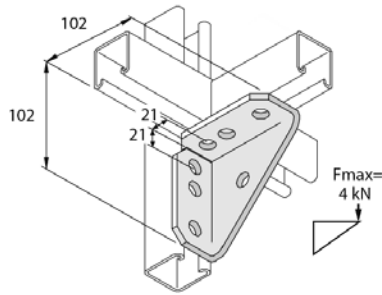
To order per full packaging.



# I6P2484

Fitting 90° angle TR 7D14

**UNISTRUT®**



Standard finish

Stainless Steel 316

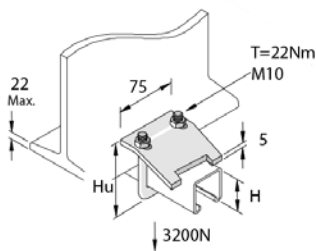
HD	Reference	↓ mm	↔ mm	↔  mm	↔↔ mm	kg/ piece	📦	Stock	Unit
-	<b>I6P2484</b>	-			-	0.466	10		piece

To order per full packaging.

# I6P2785

Beam Fitting H21-41

**UNISTRUT®**



Standard finish

Stainless Steel 316

HD	Reference	↓ mm	↔ mm	↔  mm	↔↔ mm	kg/ piece	📦	Stock	Unit
-	<b>I6P2785</b>	-			-	0.308	20	X	piece

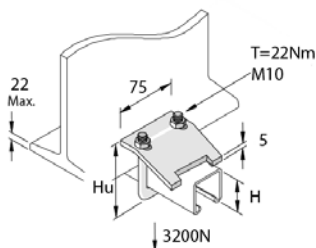
H=21-41 mm

To order per full packaging

# I6P2786

Beam Fitting H62-83

**UNISTRUT®**



Standard finish

Stainless Steel 316

HD	Reference	↓ mm	↔ mm	↔  mm	↔↔ mm	kg/ piece	📦	Stock	Unit
-	<b>I6P2786</b>	-			-	0.348	20		piece

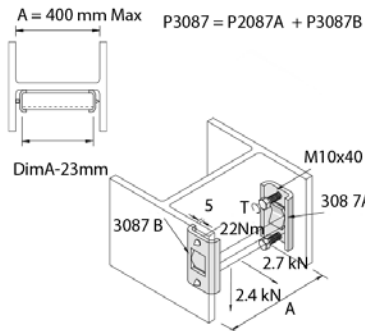
H=62-83 mm

To order per full packaging.

# I6P3087

## Beam clamp internal

UNISTRUT®



Standard finish

Stainless Steel 316

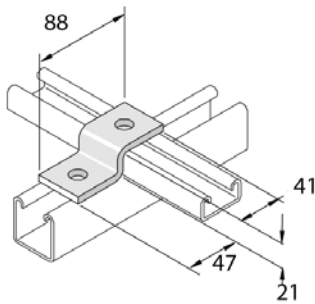
HD	Reference	↑ mm	↔ mm	↔ mm	↔ mm	kg/ piece	📦	Stock	Unit
-	<b>I6P3087</b>	-				0.670	10		piece

To order per full packaging.

# I6P4045

## Z21 Fitting single profile 2D14

UNISTRUT®



Standard finish

Stainless Steel 316

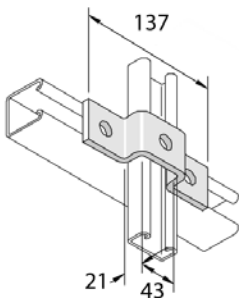
HD	Reference	↑ mm	↔ mm	↔ mm	↔ mm	kg/ piece	📦	Stock	Unit
-	<b>I6P4045</b>	-				0.164	20		piece

To order per full packaging.

# I6P4047

## OM21 Fitting 3D14

UNISTRUT®



Standard finish

Stainless Steel 316

HD	Reference	↑ mm	↔ mm	↔ mm	↔ mm	kg/ piece	📦	Stock	Unit
-	<b>I6P4047</b>	-				0.263	10		piece

To order per full packaging.

# I6PNL06-I6PNL12A

UNISTRUT®

Sliding nut for supporting profile

Standard finish

Stainless Steel 316



HD	Reference	↓ mm	↔ mm	↔ mm	↔ mm	kg/ piece	📦	Stock	Unit
-	I6PNL06	-			-	0.028	100	X	piece
-	I6PNL08	-			-	0.035	100		piece
-	I6PNL10	-			-	0.038	100	X	piece
-	I6PNL12A	-			-	0.040	100		piece

To order per full packaging.

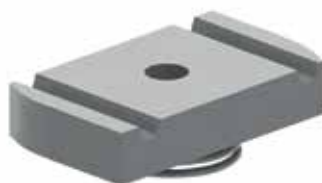
# I6PNS06-I6PNS12A

UNISTRUT®

Sliding nut for supporting profile

Standard finish

Stainless Steel 316



HD	Reference	↓ mm	↔ mm	↔ mm	↔ mm	kg/ piece	📦	Stock	Unit
-	I6PNS06	-			-	0.028	100		piece
-	I6PNS08	-			-	0.029	100		piece
-	I6PNS10	-			-	0.038	100		piece
-	I6PNS12A	-			-	0.036	100		piece

To order per full packaging.

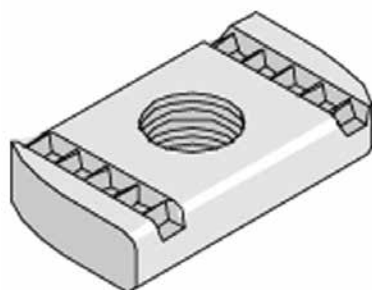
# I6PNP06-I6PNP12A

UNISTRUT®

Sliding nut for supporting profile

Standard finish

Stainless Steel 316



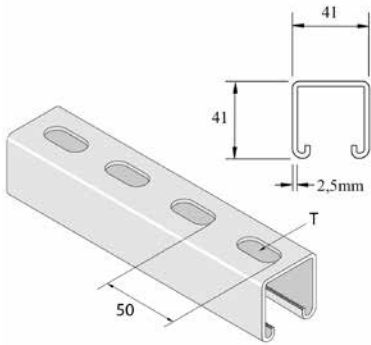
HD	Reference	↓ mm	↔ mm	↔ mm	↔ mm	kg/ piece	📦	Stock	Unit
-	I6PNP06	-			-	0.028	100	X	piece
-	I6PNP08	-			-	0.034	100	X	piece
-	I6PNP10	-			-	0.038	100	X	piece
-	I6PNP12A	-			-	0.038	100	X	piece

To order per full packaging.

# I4P1000T

UNISTRUT®

## Single Profile H41 slotted M12



Standard finish

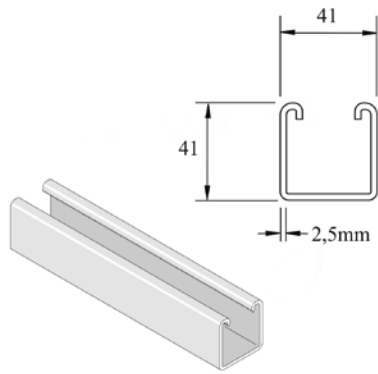
Stainless Steel 304

HD	Reference	↑ mm	↔ mm	→ ← mm	↔ mm	kg/m	📦	Stock	Unit
-	<b>I4P1000TX6</b>	41	41	2.50	6000	2.730	6	X	m
-	<b>I4P1000TX3</b>	41	41	2.50	3000	2.730	3	X	m

# I6P1000

## Single Profile H41

**UNISTRUT®**



Standard finish

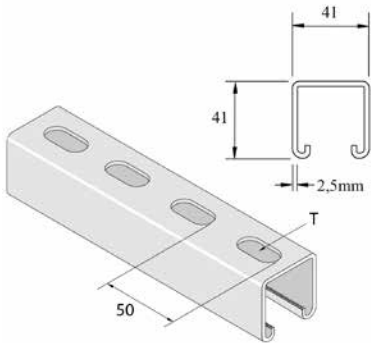
Stainless Steel 316

HD	Reference	↕ mm	↔ mm	↔ mm	↔ mm	kg/m	📦	Stock	Unit
-	<b>I6P1000X6</b>	41	41	2.50	6000	2.880	6	X	m
-	<b>I6P1000X3</b>	41	41	2.50	3000	2.880	3		m

# I6P1000T

UNISTRUT®

## Single Profile H41 slotted M12



Standard finish

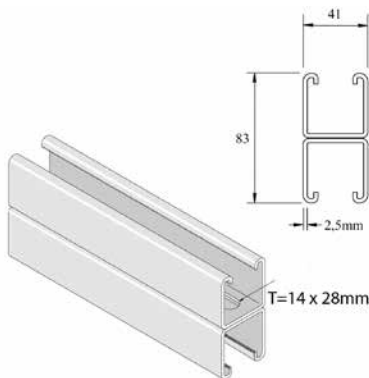
Stainless Steel 316

HD	Reference	↑ mm	↔ mm	→ ← mm	↔ mm	kg/m	📦	Stock	Unit
-	<b>I6P1000TX6</b>	41	41	2.50	6000	2.730	6	X	m
-	<b>I6P1000TX3</b>	41	41	2.50	3000	2.730	3	X	m

# I6P1001T

UNISTRUT®

## Double Profile H83 slotted M12



Standard finish

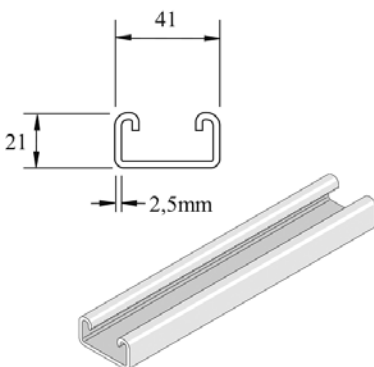
Stainless Steel 316

HD	Reference	↑ mm	↔ mm	→ ← mm	↔ mm	kg/m	📦	Stock	Unit
-	<b>I6P1001TX6</b>	83	41	2.50	6000	5.470	6	X	m

# I6P3300

UNISTRUT®

## Single Profile H21



Standard finish

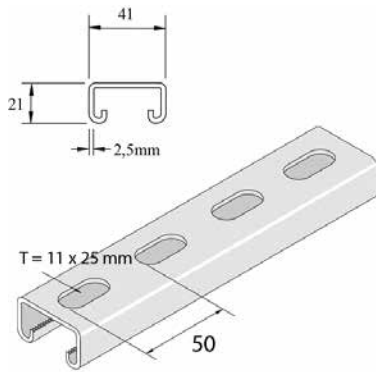
Stainless Steel 316

HD	Reference	↑ mm	↔ mm	→ ← mm	↔ mm	kg/m	📦	Stock	Unit
-	<b>I6P3300X6</b>	21	41	2.50	6000	1.910	6	X	m

# I4P3300T10

**UNISTRUT®**

Single profile H21 slotted M10



Standard finish

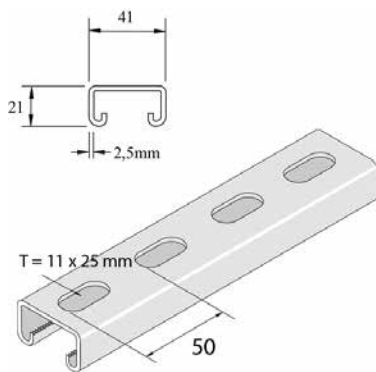
Stainless Steel 304

HD	Reference	↓ mm	↔ mm	↔ mm	↔ mm	kg/m	⊞	Stock	Unit
-	<b>I4P3300T10X6</b>	21	41	2.50	6000	1.760	6	X	m

# I6P3300T10

**UNISTRUT®**

Single profile H21 slotted M10



Standard finish

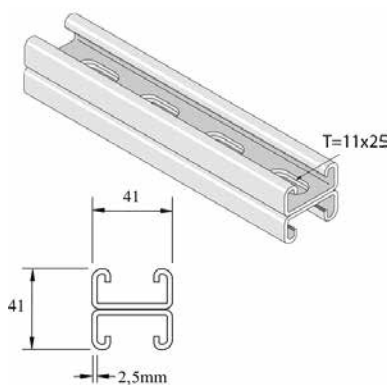
Stainless Steel 316

HD	Reference	↓ mm	↔ mm	↔ mm	↔ mm	kg/m	⊞	Stock	Unit
-	<b>I6P3300T10X6</b>	21	41	2.50	6000	1.760	6	X	m

# I6P3301T10

**UNISTRUT®**

Double Profile H41 slotted M10



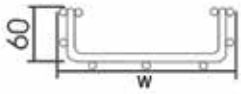
Standard finish

Stainless Steel 316

HD	Reference	↓ mm	↔ mm	↔ mm	↔ mm	kg/m	⊞	Stock	Unit
-	<b>I6P3301T10X6</b>	41	41	2.50	6000	3.530	6		m

# I6VF60

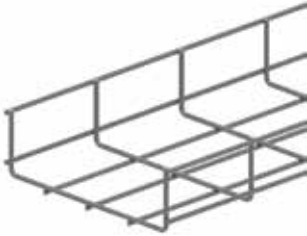
## Wire cable tray for heavy duty



Screen: 50x100 mm  
Thread: 4.50 mm

Standard finish

Stainless Steel 316



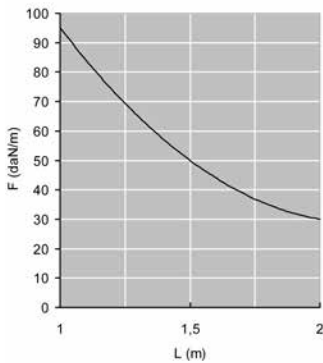
HD	Reference	↑ mm	↔ mm	→ ← mm	↔ mm	kg/m	📦	Stock	Unit
-	<b>I6VF60.050</b>	60	50		3000	0.690	3	X	m
-	<b>I6VF60.100</b>	60	97		3000	1.010	3	X	m
-	<b>I6VF60.200</b>	60	197		3000	1.263	3	X	m
-	<b>I6VF60.300</b>	60	297		3000	1.660	3	X	m
-	<b>I6VF60.400</b>	60	397		3000	2.040	3	X	m

Fix with:

-	<b>I6KPVF</b>	60	-	-	-	0.100	30	X	piece
-	<b>I6VFK</b>	-	-	-	-	0.020	50	X	piece
-	<b>I6VFKS</b>	55	250	-	-	0.270	20	X	piece

### LOAD DIAGRAM

Graph valid for I6VF60. This diagram illustrates the permissible uniformly distributed loads applied to multiple supports. They comply with IEC 61537 par 10.3.3 test type III with connection to 1/5 of the span.



F = max. admissible load (daN/m)

L = support distance (m)

Max. deflection (m) = L/100

# I6D

## Universal cover



Standard finish

Stainless Steel 316

HD	Reference	↑ mm	↔ mm	→ ← mm	↔ mm	kg/m	📦	Stock	Unit
-	<b>I6D100</b>	10	102	0.80	3000	0.820	3		m
-	<b>I6D200</b>	10	202	0.80	3000	1.420	3		m
-	<b>I6D300</b>	10	302	0.80	3000	2.100	3		m
-	<b>I6D400</b>	10	402	1.00	3000	4.150	3		m

Fix with:

-	<b>DCLVF</b>	-	-	-	-	0.005	100	X	piece
---	--------------	---	---	---	---	-------	-----	---	-------



# DCLVF

## Cover clamp clips



2 pieces per meter.

Standard finish

Stainless Steel

HD	Reference	↑ mm	↔ mm	↔ ← mm	↔↔ mm	kg/ piece	📦	Stock	Unit
-	<b>DCLVF</b>	-			-	0.005	100	X	piece

To order per full packaging.

# I6KPVF

## Joiner for wire cable tray



Standard finish

Stainless Steel 316

HD	Reference	↑ mm	↔ mm	↔ ← mm	↔↔ mm	kg/ piece	📦	Stock	Unit
-	<b>I6KPVF</b>	60			-	0.100	30	X	piece

# I6VFK

## Joining clamp



Standard finish

Stainless Steel 316

HD	Reference	↑ mm	↔ mm	↔ ← mm	↔↔ mm	kg/ piece	📦	Stock	Unit
-	<b>I6VFK</b>	-			-	0.020	50	X	piece

To order per full packaging.

## I6VFKK25

### Joining clamp



Standard finish

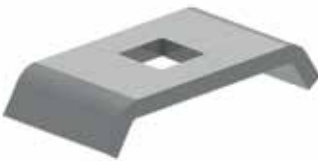
Stainless Steel 316

HD	Reference	↑ mm	↔ mm	→ ← mm	↔ mm	kg/ piece	📦	Stock	Unit
-	<b>I6VFKK25</b>	-	25		-	0.005	50	X	piece

To order per full packaging.

## I6VFKG30

### Joining clamp



Standard finish

Stainless Steel 316

HD	Reference	↑ mm	↔ mm	→ ← mm	↔ mm	kg/ piece	📦	Stock	Unit
-	<b>I6VFKG30</b>	-	30		-	0.007	50	X	piece

To order per full packaging.

## I6VFKS

### Support joiner for wire cable tray



For maximum stability and safety

Standard finish

Stainless Steel 316

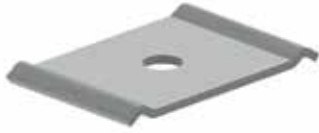
HD	Reference	↑ mm	↔ mm	→ ← mm	↔ mm	kg/ piece	📦	Stock	Unit
-	<b>I6VFKS</b>	55	250		-	0.270	20	X	piece

To order per full packaging.

Toothed round head and nut included.

# I6VFCB

## Central suspension bracket



Standard finish

Stainless Steel 316

HD	Reference	↓ mm	↔ mm	↔ mm	↔ mm	kg/ piece	📦	Stock	Unit
-	<b>I6VFCB</b>	-				0.035	48	X	piece

To order per full packaging.

Can be used for wire cable trays I6VF60.100 and I6VF60.150.

Threaded rod I6TIM6 or I6TIM8 and nut I6M6 or I6M8, should be ordered separately.

# I6VFM

## Wall bracket



For fixing on the wall

Standard finish

Stainless Steel 316

HD	Reference	↓ mm	↔ mm	↔ mm	↔ mm	kg/ piece	📦	Stock	Unit
-	<b>I6VFM</b>	-				0.030	20	X	piece

To order per full packaging.

## I6VFO

### Suspension piece



For threaded rod suspension

Standard finish

Stainless Steel 316

HD	Reference	↕ mm	↔ mm	↔  mm	↔↔ mm	kg/ piece	📦	Stock	Unit
-	<b>I6VFO</b>	-			-	0.030	20	X	piece

To order per full packaging.

Threaded rod I6TIM6 or I6TIM8 should be ordered separately.

## I6VFMM

### Wall and mounting bracket



For fixing of contact boxes and wall fixing

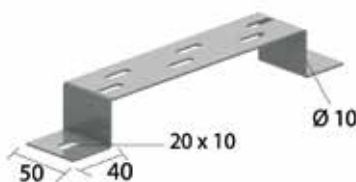
Standard finish

Stainless Steel 316

HD	Reference	↕ mm	↔ mm	↔  mm	↔↔ mm	kg/ piece	📦	Stock	Unit
-	<b>I6VFMM</b>	60			-	0.080	20	X	piece

## I6VMB

### Floor and wall bracket



Suitable as floor-, wall-, and suspension bracket

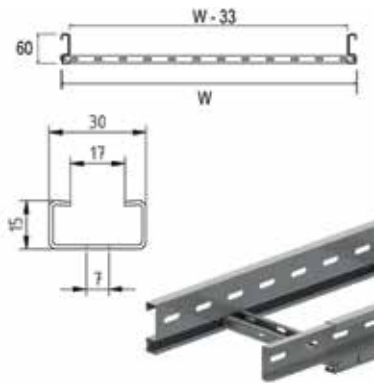
Standard finish

Stainless Steel 316

HD	Reference	↕ mm	↔ mm	↔  mm	↔↔ mm	kg/ piece	📦	Stock	Unit
-	<b>I6VMB100</b>	40	100		-	0.180	30	X	piece
-	<b>I6VMB200</b>	40	200		-	0.260	30	X	piece
-	<b>I6VMB300</b>	40	300		-	0.340	30	X	piece
-	<b>I6VMB400</b>	40	400		-	0.420	20	X	piece

# I4KLLI60

## Cable ladder interlocking ends



Side walls : perforated S-profile  
Perforated C rungs 15 x 30

Usable inner height	44 mm
Rung distance	250 mm (to order : 100 mm - 300 mm, increments of 50 mm)
To order	length 6000 mm
To order	width 700 - 1200 mm (increments of 100 mm)
Standard finish	Stainless Steel 304

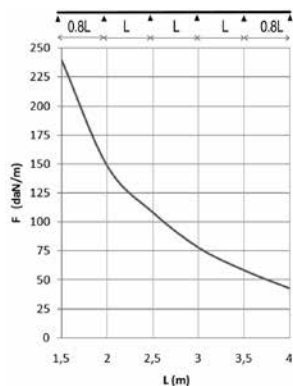
HD	Reference	↓ mm	↔ mm	↔ mm	↔ mm	kg/m	📦	Stock	Unit
-	<b>I4KLLI60.150</b>	60	150	1.00	3000	2.110	30		m
-	<b>I4KLLI60.200</b>	60	200	1.00	3000	2.210	30		m
-	<b>I4KLLI60.300</b>	60	300	1.00	3000	2.400	30		m
-	<b>I4KLLI60.400</b>	60	400	1.00	3000	2.590	30		m
-	<b>I4KLLI60.500</b>	60	500	1.00	3000	2.790	30		m
-	<b>I4KLLI60.600</b>	60	600	1.00	3000	3.810	30		m

Fix with:

-	<b>I6VM6.10</b>	-	-	M6	10	0.008	100	X	piece
---	-----------------	---	---	----	----	-------	-----	---	-------

### BELASTUNGSDIAGRAMM

This diagram illustrates the permissible uniformly distributed horizontal loads applied to multiple supports. They comply with IEC 61537 with connection in the centre of the span and the end span = 0,8x the span.



F = max. admissible load (daN/m)

L = support distance (m)

Max. deflection (m) = L/100

### CHARACTERISTICS

- lightweight
- strong
- interlocking
- partition (I4SLOS35) can be fixed to the cable ladder with a sliding nut (I6GM6) and pan head bolt (I6RB6.10)
- no further coupling holes are required if the cable ladder is cut
- use joiners (I6KLLKP60) and bolts (I6VM6.10) to join the cut lengths of cable ladder
- no joiners are required to attach accessories such as bends, tees etc.
- rungs are perforated to enable efficient attachment of cables.

### TECHNICAL INFORMATION

Side walls are constructed from S profile with a return flange and are continuously perforated

Side walls are continuously perforated

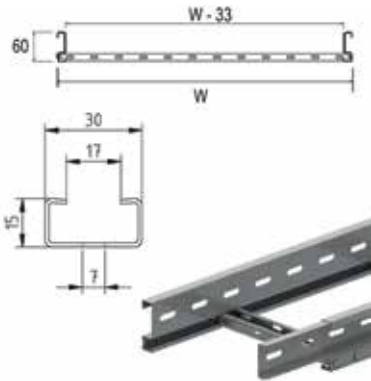
C-profile rungs are fixed at 250 mm intervals

Rungs are mechanically attached to the side wall of the cable ladder

Rungs are alternately placed with openings upwards and downwards.

# I6KLLI60

## Cable ladder interlocking ends



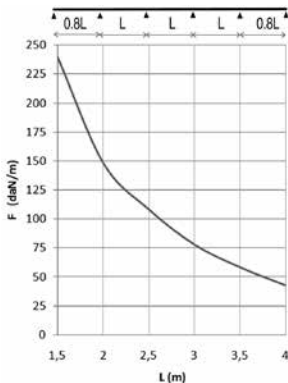
Side walls: perforated S-profile  
Perforated C rungs 15 x 30

Usable inner height	44 mm
Rung distance	250 mm (to order : 100 mm - 300 mm, increments of 50 mm)
To order	length 6000 mm
To order	width 700 - 1200 mm (increments of 100 mm)
Standard finish	Stainless Steel 316

HD	Reference	↑ mm	↔ mm	→  ← mm	↔ mm	kg/m	📦	Stock	Unit
-	<b>I6KLLI60.150</b>	60	150	1.00	3000	2.110	30		m
-	<b>I6KLLI60.200</b>	60	200	1.00	3000	2.067	30		m
-	<b>I6KLLI60.300</b>	60	300	1.00	3000	2.400	30		m
-	<b>I6KLLI60.400</b>	60	400	1.00	3000	2.590	30		m
-	<b>I6KLLI60.500</b>	60	500	1.00	3000	2.790	30		m
-	<b>I6KLLI60.600</b>	60	600	1.00	3000	3.224	30		m

Fix with:

-	<b>I6VM6.10</b>	-	-	M6	10	0.008	100	X	piece
---	-----------------	---	---	----	----	-------	-----	---	-------



### LOAD DIAGRAM

This diagram illustrates the permissible uniformly distributed horizontal loads applied to multiple supports. They comply with IEC 61537 with connection in the centre of the span and the end span = 0,8x the span.

F = max. admissible load (daN/m)

L = support distance (m)

Max. deflection (m) = L/100

### CHARACTERISTICS

- lightweight
- strong
- interlocking
- partition (I6SLOS35) can be fixed to the cable ladder with a sliding nut (I6GM6) and pan head bolt (I6RB6.10)
- no further coupling holes are required if the cable ladder is cut
- use joiners (I6KLLKP60) and bolts (I6VM6.10) to join the cut lengths of cable ladder
- no joiners are required to attach accessories such as bends, tees etc.
- rungs are perforated to enable efficient attachment of cables.

### TECHNICAL INFORMATION

Side walls are constructed from S profile with a return flange and are continuously perforated

Side walls are continuously perforated

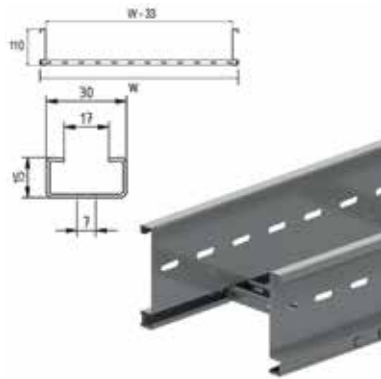
C-profile rungs are fixed at 250 mm intervals

Rungs are mechanically attached to the side wall of the cable ladder

Rungs are alternately placed with openings upwards and downwards.

# I4KLL110

## Cable ladder



Side walls : perforated S-profile  
Perforated C rungs 15 x 30

Usable inner height	94 mm
Rung distance	250 mm (to order : 100 mm - 300 mm, increments of 50 mm)
To order	length 6000 mm
To order	width 700 - 1200 mm (increments of 100 mm)
Standard finish	Stainless Steel 304

HD	Reference	↓ mm	↔ mm	↔ mm	↔ mm	kg/m	📦	Stock	Unit
-	<b>I4KLL110.200</b>	110	200	1.25	3000	3.610	18		m
-	<b>I4KLL110.300</b>	110	300	1.25	3000	3.810	18		m
-	<b>I4KLL110.400</b>	110	400	1.25	3000	4.000	18		m
-	<b>I4KLL110.500</b>	110	500	1.25	3000	4.190	18		m
-	<b>I4KLL110.600</b>	110	600	1.25	3000	5.210	18		m

Fix with:

-	<b>I6VM6.10</b>	-	-	M6	10	0.008	100	X	piece
---	-----------------	---	---	----	----	-------	-----	---	-------

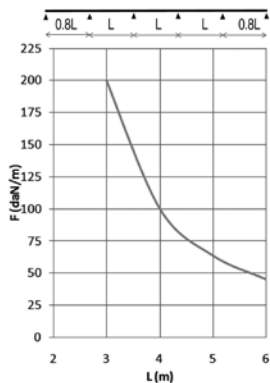
### LOAD DIAGRAM

This diagram illustrates the permissible uniformly distributed horizontal loads applied to multiple supports. They comply with IEC 61537 with connection in the centre of the span and the end span = 0,8x the span.

F = max. admissible load (daN/m)

L = support distance (m)

Max. deflection (m) = L/100



### CHARACTERISTICS

- lightweight
- strong
- partition (I6SLOS85) can be fixed to the cable ladder with a sliding nut (I6GM6) and pan head bolt (I6RB6.10)
- no further coupling holes are required if the cable ladder is cut.
- rungs are perforated to enable efficient attachment of cables.

### TECHNICAL INFORMATION

Side walls are constructed from S profile with a return flange and are continuously perforated.

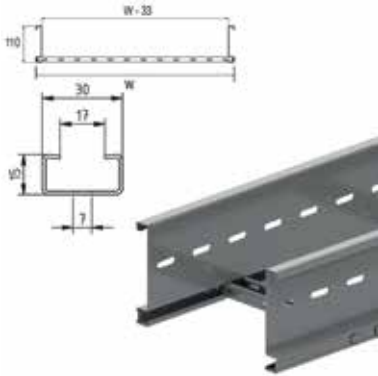
C-profile rungs are fixed at 250 mm intervals.

Rungs are mechanically attached to the side wall of the cable ladder.

Rungs are alternately placed with openings upwards and downwards.

# I6KLL110

## Cable ladder



Side walls: perforated S-profile  
Perforated C rungs 15 x 30

Usable inner height	94 mm
Rung distance	250 mm (to order : 100 mm - 300 mm, increments of 50 mm)
To order	length 6000 mm
To order	width 700 - 1200 mm (increments of 100 mm)
Standard finish	Stainless Steel 316

HD	Reference	↑ mm	↔ mm	→  ← mm	↔ mm	kg/m	📦	Stock	Unit
-	<b>I6KLL110.200</b>	110	200	1.25	3000	3.610	18		m
-	<b>I6KLL110.300</b>	110	300	1.25	3000	3.810	18		m
-	<b>I6KLL110.400</b>	110	400	1.25	3000	4.000	18		m
-	<b>I6KLL110.500</b>	110	500	1.25	3000	4.190	18		m
-	<b>I6KLL110.600</b>	110	600	1.25	3000	4.624	18		m
-	<b>I6KLL110.200.6</b>	110	200	1.25	6000	3.610	18		m
-	<b>I6KLL110.400.6</b>	110	400	1.25	6000	4.000	18		m
-	<b>I6KLL110.600.6</b>	110	600	1.25	6000	4.624	18		m

Fix with:

-	<b>I6KLLKP110</b>	89	13	-	400	0.500	12		piece
-	<b>I6VM6.10</b>	-	-	M6	10	0.008	100	X	piece

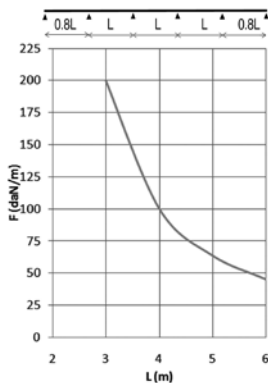
### LOAD DIAGRAM

This diagram illustrates the permissible uniformly distributed horizontal loads applied to multiple supports. They comply with IEC 61537 with connection in the centre of the span and the end span = 0,8x the span.

F = max. admissible load (daN/m)

L = support distance (m)

Max. deflection (m) = L/100



### CHARACTERISTICS

- lightweight
- strong
- partition (I6SLOS85) can be fixed to the cable ladder with a sliding nut (I6GM6) and pan head bolt (I6RB6.10)
- no further coupling holes are required if the cable ladder is cut.
- rungs are perforated to enable efficient attachment of cables.

### TECHNICAL INFORMATION

Side walls are constructed from S profile with a return flange and are continuously perforated.

C-profile rungs are fixed at 250 mm intervals.

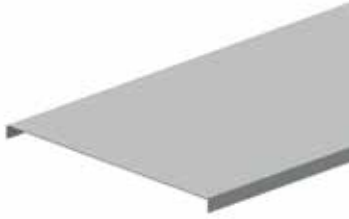
Rungs are mechanically attached to the side wall of the cable ladder.

Rungs are alternately placed with openings upwards and downwards.



# I4D

## Universal cover



Standard finish

Stainless Steel 304

HD	Reference	↓ mm	↔ mm	↗↖ mm	↔ mm	kg/m	📦	Stock	Unit
-	<b>I4D200</b>	10	202	0.80	3000	1.420	3		m
-	<b>I4D300</b>	10	302	0.80	3000	2.100	3		m
-	<b>I4D400</b>	10	402	1.00	3000	4.150	3		m

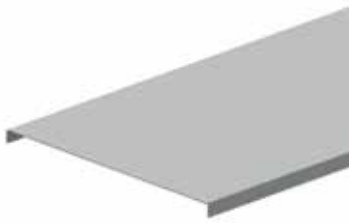
Fix with:

-	<b>I4KLLDK</b>	20	20	-	-	0.024	20		piece
---	----------------	----	----	---	---	-------	----	--	-------

Covers with width > 400 mm are delivered with diagonal reinforcements.

# I6D

## Universal cover



Standard finish

Stainless Steel 316

HD	Reference	↓ mm	↔ mm	↗↖ mm	↔ mm	kg/m	📦	Stock	Unit
-	<b>I6D200</b>	10	202	0.80	3000	1.420	3		m
-	<b>I6D300</b>	10	302	0.80	3000	2.100	3		m
-	<b>I6D400</b>	10	402	1.00	3000	4.150	3		m

Fix with:

-	<b>I6KLLDK</b>	20	20	-	-	0.024	20		piece
---	----------------	----	----	---	---	-------	----	--	-------

Covers with width > 400 mm are delivered with diagonal reinforcements.

# I4KLLDK

## Cover clamp for I4KLL



Number: 2 pieces per metre

Standard finish

Stainless Steel 304

HD	Reference	↓ mm	↔ mm	↗↖ mm	↔ mm	kg/ piece	📦	Stock	Unit
-	<b>I4KLLDK</b>	20	20		-	0.024	20		piece

To order per full packaging.

Included: Bolt I6B6.20

# I6KLLDK

## Cover clamp for I6KLL



Number: 2 pieces per metre.

Standard finish

Stainless Steel 316

HD	Reference	↕ mm	↔ mm	↔ mm	↔ mm	kg/ piece	📦	Stock	Unit
-	<b>I6KLLDK</b>	20	20			0.024	20		piece

The technical information for this product can be found at the end of this chapter.

To order per full packaging.

Included: Bolt I6B6.20

# I6KLLABD

## Distance bracket for cover I6KLL



Standard finish

Stainless Steel 316

HD	Reference	↕ mm	↔ mm	↔ mm	↔ mm	kg/ piece	📦	Stock	Unit
-	<b>I6KLLABD</b>	90	60		19	0.100	4		piece

Fix with:

-	<b>I6VM6.10</b>	-	-	M6	10	0.008	100	X	piece
-	<b>I6KLLDK</b>	20	20	-	-	0.024	20		piece

The technical information for this product can be found at the end of this chapter.

To order per full packaging.

Can be used for heights 60 - 110 mm.

2 pieces per meter.

# I6KLLB

## Horizontal bend for I6KLL



Radius	300 mm
Standard finish	Stainless Steel 316

HD	Reference	↑ mm	↔ mm	↔ mm	↔ mm	kg/ piece	⊞	Stock	Unit
-	I6KLLB60.150	60	141		-	1.659	1		piece
-	I6KLLB60.200	60	191		-	1.898	1		piece
-	I6KLLB60.300	60	291		-	2.375	1		piece
-	I6KLLB60.400	60	391		-	2.852	1		piece
-	I6KLLB60.500	60	491		-	3.329	1		piece
-	I6KLLB60.600	60	591		-	3.806	1		piece
-	I6KLLB110.200	110	198		-	2.826	1		piece
-	I6KLLB110.300	110	298		-	3.384	1		piece
-	I6KLLB110.400	110	398		-	3.940	1		piece
-	I6KLLB110.500	110	498		-	4.498	1		piece
-	I6KLLB110.600	110	598		-	5.055	1		piece

Fix with:

-	I6VM6.10	-	-	M6	10	0.008	100	X	piece
---	----------	---	---	----	----	-------	-----	---	-------

Minimum number bolts and nuts: 8 pieces.

# I6KLLT

## T-piece for I6KLL



Radius	300 mm
Standard finish	Stainless Steel 316

W (mm)	150	200	300	400	500	600
A (mm)	1021	1071	1171	1271	1371	1471

HD	Reference	↑ mm	↔ mm	↔ mm	↔ mm	kg/ piece	⊞	Stock	Unit
-	I6KLLT60.150	60	141		-	2.229	1		piece
-	I6KLLT60.200	60	191		-	2.821	1		piece
-	I6KLLT60.300	60	291		-	3.447	1		piece
-	I6KLLT60.400	60	391		-	3.882	1		piece
-	I6KLLT60.500	60	491		-	4.317	1		piece
-	I6KLLT60.600	60	591		-	4.753	1		piece
-	I6KLLT110.200	110	198		-	4.131	1		piece
-	I6KLLT110.300	110	298		-	4.806	1		piece
-	I6KLLT110.400	110	398		-	5.290	1		piece
-	I6KLLT110.500	110	498		-	5.775	1		piece
-	I6KLLT110.600	110	598		-	6.260	1		piece

Fix with:

-	I6VM6.10	-	-	M6	10	0.008	100	X	piece
---	----------	---	---	----	----	-------	-----	---	-------

Minimum number bolts and nuts: 12 pieces.

# I6KLLX

## Cross-over for I6KLL



Radius 300 mm

Standard finish Stainless Steel 316

W (mm)	150	200	300	400	500	600
A (mm)	1021	1071	1171	1271	1371	1471

HD	Reference	↑ mm	↔ mm	→ ← mm	↔ mm	kg/ piece	📦	Stock	Unit
-	I6KLLX60.150	60	141		-	3.131	1		piece
-	I6KLLX60.200	60	191		-	3.232	1		piece
-	I6KLLX60.300	60	291		-	4.421	1		piece
-	I6KLLX60.400	60	391		-	4.875	1		piece
-	I6KLLX60.500	60	491		-	5.329	1		piece
-	I6KLLX60.600	60	591		-	5.782	1		piece
-	I6KLLX110.200	110	198		-	4.796	1		piece
-	I6KLLX110.300	110	298		-	5.985	1		piece
-	I6KLLX110.400	110	398		-	6.439	1		piece
-	I6KLLX110.500	110	498		-	6.893	1		piece
-	I6KLLX110.600	110	598		-	7.346	1		piece

Fix with:

-	I6VM6.10	-	-	M6	10	0.008	100	X	piece
---	----------	---	---	----	----	-------	-----	---	-------

Minimum number bolts and nuts: 16 pieces.

# I6KLLVB

## External riser for I6KLL



Radius 600 mm

Standard finish Stainless Steel 316

HD	Reference	↑ mm	↔ mm	→ ← mm	↔ mm	kg/ piece	📦	Stock	Unit
-	I6KLLVB60.150	60	141		-	1.528	1		piece
-	I6KLLVB60.200	60	191		-	1.629	1		piece
-	I6KLLVB60.300	60	291		-	1.830	1		piece
-	I6KLLVB60.400	60	391		-	2.032	1		piece
-	I6KLLVB60.500	60	491		-	2.234	1		piece
-	I6KLLVB60.600	60	591		-	2.435	1		piece
-	I6KLLVB110.200	110	198		-	2.755	1		piece
-	I6KLLVB110.300	110	298		-	2.956	1		piece
-	I6KLLVB110.400	110	398		-	3.158	1		piece
-	I6KLLVB110.500	110	498		-	3.360	1		piece
-	I6KLLVB110.600	110	598		-	3.561	1		piece

Fix with:

-	I6VM6.10	-	-	M6	10	0.008	100	X	piece
---	----------	---	---	----	----	-------	-----	---	-------

Minimum number bolts and nuts: 8 pieces.

# I6KLLSB

Internal riser for I6KLL



Radius	600 mm
Standard finish	Stainless Steel 316

HD	Reference	↑ mm	↔ mm	↔ mm	↔ mm	kg/ piece	📦	Stock	Unit
-	I6KLLSB60.150	60	141		-	1.528	1		piece
-	I6KLLSB60.200	60	191		-	1.629	1		piece
-	I6KLLSB60.300	60	291		-	1.830	1		piece
-	I6KLLSB60.400	60	391		-	2.032	1		piece
-	I6KLLSB60.500	60	491		-	2.234	1		piece
-	I6KLLSB60.600	60	591		-	2.435	1		piece
-	I6KLLSB110.200	110	198		-	2.755	1		piece
-	I6KLLSB110.300	110	298		-	2.956	1		piece
-	I6KLLSB110.400	110	398		-	3.158	1		piece
-	I6KLLSB110.500	110	498		-	3.360	1		piece
-	I6KLLSB110.600	110	598		-	3.561	1		piece

Fix with:

-	I6VM6.10	-	-	M6	10	0.008	100	X	piece
---	----------	---	---	----	----	-------	-----	---	-------

Minimum number bolts and nuts: 8 pieces.

# I6KLLVSB

Flexible (rising / low) bend for I6KLL



Standard finish	Stainless Steel 316
-----------------	---------------------

HD	Reference	↑ mm	↔ mm	↔ mm	↔ mm	kg/ piece	📦	Stock	Unit
-	I6KLLVSB60.150	60	150		1040	2.746	1		piece
-	I6KLLVSB60.200	60	200		1040	2.842	1		piece
-	I6KLLVSB60.300	60	300		1040	3.038	1		piece
-	I6KLLVSB60.400	60	400		1040	3.230	1		piece
-	I6KLLVSB60.500	60	500		1040	3.422	1		piece
-	I6KLLVSB60.600	60	600		1040	3.614	1		piece
-	I6KLLVSB110.200	110	200		1090	5.129	1		piece
-	I6KLLVSB110.300	110	300		1090	5.325	1		piece
-	I6KLLVSB110.400	110	400		1090	5.517	1		piece
-	I6KLLVSB110.500	110	500		1090	5.709	1		piece
-	I6KLLVSB110.600	110	600		1090	5.901	1		piece

Fix with:

-	I6VM6.10	-	-	M6	10	0.008	100	X	piece
---	----------	---	---	----	----	-------	-----	---	-------

Minimum number bolts and nuts: 8 pieces.

# I6KLLAH

## Horizontal branch hook for I6KLL



Standard finish

Stainless Steel 316

HD	Reference	↑ mm	↔ mm	↔ mm	↔ mm	kg/ piece	📦	Stock	Unit
-	<b>I6KLLAH60</b>	39	118		62	0.100	2		piece
-	<b>I6KLLAH110</b>	88	118		111	0.230	2		piece
Fix with:									
-	<b>I6VM6.10</b>	-	-	M6	10	0.008	100	X	piece

To order per full packaging.  
Minimum number bolts and nuts: 4 pieces.

# I6KLLAHV

## Vertical branch hook for I6KLL



Standard finish

Stainless Steel 316

HD	Reference	↑ mm	↔ mm	↔ mm	↔ mm	kg/ piece	📦	Stock	Unit
-	<b>I6KLLAHV60</b>	39	16		162	0.100	2		piece
-	<b>I6KLLAHV110</b>	88	16		212	0.230	2		piece
Fix with:									
-	<b>I6VM6.10</b>	-	-	M6	10	0.008	100	X	piece

To order per full packaging.  
Minimum number bolts and nuts: 4 pieces.

# I6KLLDSH

## Horizontal hinged joiner for I6KLL



Standard finish

Stainless Steel 316

HD	Reference	↑ mm	↔ mm	↔ mm	↔ mm	kg/ piece	📦	Stock	Unit
-	<b>I6KLLDSH60</b>	41	10		200	0.080	6		piece
-	<b>I6KLLDSH110</b>	90	10		200	0.157	6		piece
Fix with:									
-	<b>I6VM6.10</b>	-	-	M6	10	0.008	100	X	piece

To order per full packaging.  
Minimum number bolts and nuts: 4 pieces.

# I6KLLDSV

Vertical hinged joiner for I6KLL



Standard finish

Stainless Steel 316

HD	Reference	↓ mm	↔ mm	↔  mm	↔ mm	kg/ piece	📦	Stock	Unit
-	<b>I6KLLDSV60</b>	37	12		240	0.160	6		piece
-	<b>I6KLLDSV110</b>	88	12		290	0.380	6		piece
Fix with:									
-	<b>I6VM6.10</b>	-	-	M6	10	0.008	100	X	piece

To order per full packaging.  
Minimum number bolts and nuts: 4 pieces.

# I6KLLVS

Reducing plate for I6KLL



Max. reduction of 300mm

Standard finish

Stainless Steel 316

HD	Reference	↓ mm	↔ mm	↔  mm	↔ mm	kg/ piece	📦	Stock	Unit
-	<b>I6KLLVS60</b>	37	13		400	0.260	1		piece
-	<b>I6KLLVS110</b>	89	13		500	0.740	1		piece
Fix with:									
-	<b>I6VM6.10</b>	-	-	M6	10	0.008	100	X	piece

The technical information for this product can be found at the end of this chapter.  
Minimum number bolts and nuts: 4 pieces.

# I6KLLVST

Floor support for I6KLL



Standard finish

Stainless Steel 316

HD	Reference	↓ mm	↔ mm	↔  mm	↔ mm	kg/ piece	📦	Stock	Unit
-	<b>I6KLLVST60</b>	37	35		100	0.080	2		piece
-	<b>I6KLLVST110</b>	88	82		100	0.190	2		piece
Fix with:									
-	<b>I6VM6.10</b>	-	-	M6	10	0.008	100	X	piece

To order per full packaging.  
Minimum number bolts and nuts: 2 pieces.

# I6KLLKP

## Joiner for I6KLL



Standard finish

Stainless Steel 316

HD	Reference	↑ mm	↔ mm	→ ← mm	↔ mm	kg/ piece	📦	Stock	Unit
-	<b>I6KLLKP60</b>	41	10		200	0.085	12		piece
-	<b>I6KLLKP110</b>	89	13		400	0.500	12		piece
Fix with:									
-	<b>I6VM6.10</b>	-	-	M6	10	0.008	100	X	piece

The technical information for this product can be found at the end of this chapter.

Minimum number bolts and nuts: 4 pieces.



# I6KLLBK

## Bracket clamp for I6KLL



For fixing the cable ladder on the wall bracket.  
Number: 2 per bracket

Standard finish Stainless Steel 316

HD	Reference	↑ mm	↔ mm	→  ← mm	↔ mm	kg/ piece	📦	Stock	Unit
-	<b>I6KLLBK25</b>	13	25		-	0.040	20		piece
-	<b>I6KLLBK40</b>	13	40		-	0.098	20	X	piece

The technical information for this product can be found at the end of this chapter.

To order per full packaging.  
Included: Bolt I6B6.20 and nuts I6RM6.

25 for cantilevers  
40 for 41 profiles

# DOPKLL

## End cap for KLL



Color yellow

Standard finish Polyvinyl chloride

HD	Reference	↑ mm	↔ mm	→  ← mm	↔ mm	kg/ piece	📦	Stock	Unit
-	<b>DOPKLL60</b>	60			-	0.016	12		piece
-	<b>DOPKLL110</b>	110			-	0.025	12		piece

To order per full packaging.

# I6SLOS

## Bolt-in partition



Standard finish Stainless Steel 316

HD	Reference	↑ mm	↔ mm	→  ← mm	↔ mm	kg/m	📦	Stock	Unit
-	<b>I6SLOS35</b>	35			3000	0.330	3		m
-	<b>I6SLOS60</b>	60			3000	0.510	3		m
-	<b>I6SLOS85</b>	85			3000	0.680	3		m

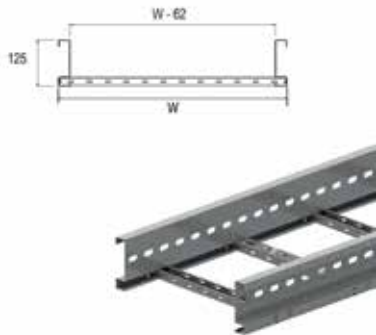
Fix with:

-	<b>I6GM6</b>	-	-	M6	-	0.010	50		piece
-	<b>I6RB6.10</b>	-	-	M6	10	0.004	100		piece

Fixing set: 1 per meter.

# I6KLM

## Cable ladder height 125



Cable ladder for large support distances up to 8 metres  
Perforated C rungs 41 x 21

Usable inner height	102 mm
Rung distance	250 mm (to order : 100 mm - 300 mm, increments of 50 mm)
To order	length 3000 mm or 9000 mm
To order	width 700 - 1200 mm (increments of 100 mm)
Standard finish	Stainless Steel 316

HD	Reference	↑ mm	↔ mm	→  ← mm	↔ mm	kg/m	📦	Stock	Unit
-	<b>I6KLM200</b>	125	218	1.50	6000	6.000	60		m
-	<b>I6KLM300</b>	125	318	1.50	6000	6.320	60		m
-	<b>I6KLM400</b>	125	418	1.50	6000	6.640	60		m
-	<b>I6KLM500</b>	125	518	1.50	6000	6.960	60		m
-	<b>I6KLM600</b>	125	618	1.50	6000	7.280	60		m

Fix with:

-	<b>I6KLMKP</b>	97	25	-	600	1.260	1		piece
-	<b>I6RBK12.20</b>	-	-	M12	20	0.052	100		piece
-	<b>I6M12</b>	-	-	M12	-	0.017	100		piece
-	<b>I6RO12</b>	-	-	M12	-	0.006	100		piece

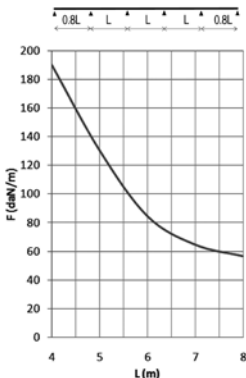
### LOAD DIAGRAM

This diagram illustrates the permissible uniformly distributed horizontal loads applied to multiple supports. They comply with IEC 61537 with connection in the centre of the span and the end span = 0,8x the span.

F = max. admissible load (daN/m)

L = support distance (m)

Max. deflection (m) = L/200



### CHARACTERISTICS

-strong

- usable inner height 102 mm, ideal for large diameter cables
- no further coupling holes are required if the cable ladder is cut
- no joiners are required to attach accessories such as bends, tees etc.
- rungs are perforated to enable efficient attachment of cables
- partition (I6SLOS85) can be fixed to the cable ladder with a sliding nut (I6PNP06) and pan head bolt (I6RB6.20).

### TECHNICAL INFORMATION

Side walls are constructed from S profile with a return flange and are continuously perforated

- C-profile rungs are fixed at 250 mm intervals.
- rungs are mechanically attached to the side wall of the cable ladder.
- rungs are alternately placed with openings upwards and downwards.

# I6DIG

## Cover industrial



Standard finish

Stainless Steel 316

HD	Reference	↓ mm	↔ mm	↗ mm	↔ mm	kg/m	📦	Stock	Unit
-	<b>I6DIG200</b>	15	223	0.80	2000	1.850	10		m
-	<b>I6DIG300</b>	15	323	0.80	2000	2.650	10		m
-	<b>I6DIG400</b>	15	423	1.25	2000	4.100	10		m
-	<b>I6DIG500</b>	15	523	1.25	2000	5.050	10		m
-	<b>I6DIG600</b>	15	623	1.25	2000	5.950	10		m

Fix with:

-	<b>I6DKIG</b>	-	-	-	-	0.030	20		piece
---	---------------	---	---	---	---	-------	----	--	-------

Covers with width > 400 mm are delivered with diagonal reinforcements.

# I6DKIG

## Cover clamp



Number: 2 pieces per metre.

Standard finish

Stainless Steel 316

HD	Reference	↓ mm	↔ mm	↗ mm	↔ mm	kg/ piece	📦	Stock	Unit
-	<b>I6DKIG</b>	-			-	0.030	20		piece

To order per full packaging.  
Included: Bolt I6B6.30

# I6KLMZWABD

## Distance bracket cover I6KLM/I6KLZ/I6KLW



Number: 2 pieces per metre.

Standard finish

Stainless Steel 316

HD	Reference	↓ mm	↔ mm	↗ mm	↔ mm	kg/ piece	📦	Stock	Unit
-	<b>I6KLMZWABD</b>	155	40		34	0.187	4		piece

Fix with:

-	<b>I6DKIG</b>	-	-	-	-	0.030	20		piece
---	---------------	---	---	---	---	-------	----	--	-------

The technical information for this product can be found at the end of this chapter.  
To order per full packaging.

## I6KLMB

### Horizontal bend for I6KLM



Radius 600 mm

Standard finish Stainless Steel 316

HD	Reference	↑ mm	↔ mm	↔ mm	↔ mm	kg/ piece	📦	Stock	Unit
-	<b>I6KLMB200</b>	125	208		-	6.719	1		piece
-	<b>I6KLMB300</b>	125	308		-	7.592	1		piece
-	<b>I6KLMB400</b>	125	408		-	8.464	1		piece
-	<b>I6KLMB500</b>	125	508		-	9.336	1		piece
-	<b>I6KLMB600</b>	125	608		-	10.210	1		piece

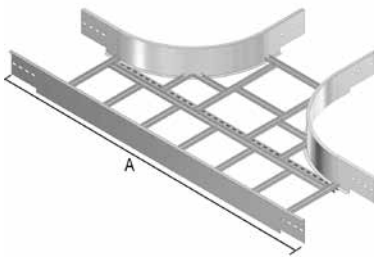
Fix with:

-	<b>I6RO12</b>	-	-	M12	-	0.006	100		piece
-	<b>I6M12</b>	-	-	M12	-	0.017	100		piece
-	<b>I6RBK12.20</b>	-	-	M12	20	0.052	100		piece

Minimum number bolts and nuts: 8 pieces.

## I6KLMT

### T-piece for I6KLM



Radius 600 mm

Standard finish Stainless Steel 316

W (mm)	200	300	400	500	600
A (mm)	1962	2062	2162	2262	2362

HD	Reference	↑ mm	↔ mm	↔ mm	↔ mm	kg/ piece	📦	Stock	Unit
-	<b>I6KLMT200</b>	125	208		-	11.506	1		piece
-	<b>I6KLMT300</b>	125	308		-	12.433	1		piece
-	<b>I6KLMT400</b>	125	408		-	13.363	1		piece
-	<b>I6KLMT500</b>	125	508		-	14.288	1		piece
-	<b>I6KLMT600</b>	125	608		-	15.215	1		piece

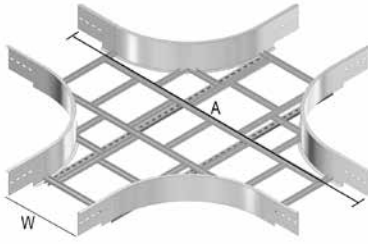
Fix with:

-	<b>I6RO12</b>	-	-	M12	-	0.006	100		piece
-	<b>I6M12</b>	-	-	M12	-	0.017	100		piece
-	<b>I6RBK12.20</b>	-	-	M12	20	0.052	100		piece

Minimum number bolts and nuts: 12 pieces.

# I6KLMX

## Cross-over for I6KLM



Radius	600 mm
Standard finish	Stainless Steel 316

W (mm)	200	300	400	500	600
A (mm)	1962	2062	2162	2262	2362

HD	Reference	↓ mm	↔ mm	↔ mm	↔ mm	kg/ piece	📦	Stock	Unit
-	<b>I6KLMX200</b>	125	208		-	13.339	1		piece
-	<b>I6KLMX300</b>	125	308		-	16.184	1		piece
-	<b>I6KLMX400</b>	125	408		-	17.302	1		piece
-	<b>I6KLMX500</b>	125	508		-	18.371	1		piece
-	<b>I6KLMX600</b>	125	608		-	19.439	1		piece

Fix with:									
-	<b>I6RO12</b>	-	-	M12	-	0.006	100		piece
-	<b>I6M12</b>	-	-	M12	-	0.017	100		piece
-	<b>I6RBK12.20</b>	-	-	M12	20	0.052	100		piece

Minimum number bolts and nuts: 16 pieces.

# I6KLMVB

## External riser for I6KLM



Radius	600 mm
Standard finish	Stainless Steel 316

HD	Reference	↓ mm	↔ mm	↔ mm	↔ mm	kg/ piece	📦	Stock	Unit
-	<b>I6KLMVB200</b>	125	208		-	5.306	1		piece
-	<b>I6KLMVB300</b>	125	308		-	5.634	1		piece
-	<b>I6KLMVB400</b>	125	408		-	5.963	1		piece
-	<b>I6KLMVB500</b>	125	508		-	6.292	1		piece
-	<b>I6KLMVB600</b>	125	608		-	6.621	1		piece

Fix with:									
-	<b>I6RO12</b>	-	-	M12	-	0.006	100		piece
-	<b>I6M12</b>	-	-	M12	-	0.017	100		piece
-	<b>I6RBK12.20</b>	-	-	M12	20	0.052	100		piece

Minimum number bolts and nuts: 8 pieces.

## I6KLMSB

### Internal riser for I6KLM



Radius 600 mm

Standard finish Stainless Steel 316

HD	Reference	↑ mm	↔ mm	↔ mm	↔ mm	kg/ piece	📦	Stock	Unit
-	<b>I6KLMSB200</b>	125	208		-	5.306	1		piece
-	<b>I6KLMSB300</b>	125	308		-	5.634	1		piece
-	<b>I6KLMSB400</b>	125	408		-	5.963	1		piece
-	<b>I6KLMSB500</b>	125	508		-	6.292	1		piece
-	<b>I6KLMSB600</b>	125	608		-	6.621	1		piece

Fix with:

-	<b>I6RO12</b>	-	-	M12	-	0.006	100		piece
-	<b>I6M12</b>	-	-	M12	-	0.017	100		piece
-	<b>I6RBK12.20</b>	-	-	M12	20	0.052	100		piece

Minimum number bolts and nuts: 8 pieces.

## I6KLMVSB

### Flexible (rising / low) bend for I6KLM



Standard finish

Stainless Steel 316

HD	Reference	↑ mm	↔ mm	↔ mm	↔ mm	kg/ piece	📦	Stock	Unit
-	<b>I6KLMVSB200</b>	125	218		1135	9.275	1		piece
-	<b>I6KLMVSB300</b>	125	318		1135	9.595	1		piece
-	<b>I6KLMVSB400</b>	125	418		1135	9.915	1		piece
-	<b>I6KLMVSB500</b>	125	518		1135	10.235	1		piece
-	<b>I6KLMVSB600</b>	125	618		1135	10.559	1		piece

Fix with:

-	<b>I6RO12</b>	-	-	M12	-	0.006	100		piece
-	<b>I6M12</b>	-	-	M12	-	0.017	100		piece
-	<b>I6RBK12.20</b>	-	-	M12	20	0.052	100		piece

Minimum number bolts and nuts: 8 pieces.

## I6KLMAH

### Horizontal branch hook for I6KLM



Slides in the C-opening of the sidewalls .

Standard finish

Stainless Steel 316

HD	Reference	↑ mm	↔ mm	↔ mm	↔ mm	kg/ piece	📦	Stock	Unit
-	<b>I6KLMAH</b>	96	169		125	0.420	2		piece

Fix with:

-	<b>I6RO12</b>	-	-	M12	-	0.006	100		piece
-	<b>I6M12</b>	-	-	M12	-	0.017	100		piece
-	<b>I6RBK12.20</b>	-	-	M12	20	0.052	100		piece

To order per full packaging.

Minimum number bolts and nuts: 4 pieces.

# I6KLMAHV

## Vertikal branch hook for I6KLM



Slides in the C-opening of the sidewalls.

Standard finish Stainless Steel 316

HD	Reference	↑ mm	↔ mm	↔ mm	↔ mm	kg/ piece	📦	Stock	Unit
-	<b>I6KLMAHV</b>	96	27		265	0.420	2		piece
Fix with:									
-	<b>I6RO12</b>	-	-	M12	-	0.006	100		piece
-	<b>I6M12</b>	-	-	M12	-	0.017	100		piece
-	<b>I6RBK12.20</b>	-	-	M12	20	0.052	100		piece

To order per full packaging.  
Minimum number bolts and nuts: 3 pieces.

# I6KLMDSH

## Horizontal hinged joiner for I6KLM



Standard finish Stainless Steel 316

HD	Reference	↑ mm	↔ mm	↔ mm	↔ mm	kg/ piece	📦	Stock	Unit
-	<b>I6KLMDSH</b>	96	25		330	0.686	2		piece
Fix with:									
-	<b>I6RO12</b>	-	-	M12	-	0.006	100		piece
-	<b>I6M12</b>	-	-	M12	-	0.017	100		piece
-	<b>I6RBK12.20</b>	-	-	M12	20	0.052	100		piece

To order per full packaging.  
Minimum number bolts and nuts: 4 pieces.

# I6KLMDSV

## Vertical hinged joiner for I6KLM



Slides in the C-opening of the sidewalls  
Premounted

Standard finish Stainless Steel 316

HD	Reference	↑ mm	↔ mm	↔ mm	↔ mm	kg/ piece	📦	Stock	Unit
-	<b>I6KLMDSV</b>	96	20		434	0.820	2		piece
Fix with:									
-	<b>I6RO12</b>	-	-	M12	-	0.006	100		piece
-	<b>I6M12</b>	-	-	M12	-	0.017	100		piece
-	<b>I6RBK12.20</b>	-	-	M12	20	0.052	100		piece

To order per full packaging.  
Minimum number bolts and nuts: 4 pieces.

## I6KLMVST

### Floor support for I6KLM



Slides in the C-opening of the sidewalls .

Standard finish

Stainless Steel 316

HD	Reference	↑ mm	↔ mm	↔ mm	↔ mm	kg/ piece	📦	Stock	Unit
-	<b>I6KLMVST</b>	96	114		150	0.410	2		piece
Fix with:									
-	<b>I6RO12</b>	-	-	M12	-	0.006	100		piece
-	<b>I6M12</b>	-	-	M12	-	0.017	100		piece
-	<b>I6RBK12.20</b>	-	-	M12	20	0.052	100		piece

To order per full packaging.

Minimum number bolts and nuts: 2 pieces.

## I6KLMVS

### Reducing plate for I6KLM



Max. reduction of 300mm

Standard finish

Stainless Steel 316

HD	Reference	↑ mm	↔ mm	↔ mm	↔ mm	kg/ piece	📦	Stock	Unit
-	<b>I6KLMVS</b>	95	20		500	0.980	1		piece
Fix with:									
-	<b>I6RO12</b>	-	-	M12	-	0.006	100		piece
-	<b>I6M12</b>	-	-	M12	-	0.017	100		piece
-	<b>I6RBK12.20</b>	-	-	M12	20	0.052	100		piece

Minimum number bolts and nuts: 4 pieces.

## I6KLMZWAB

### Distance bracket for I6KLM/I6KLZ/I6KLW



Used for vertical mounting of the cable ladder.

Standard finish

Stainless Steel 316

HD	Reference	↑ mm	↔ mm	↔ mm	↔ mm	kg/ piece	📦	Stock	Unit
-	<b>I6KLMZWAB</b>	170	50		61	0.304	4		piece
Fix with:									
-	<b>I6RO12</b>	-	-	M12	-	0.006	100		piece
-	<b>I6M12</b>	-	-	M12	-	0.017	100		piece
-	<b>I6RBK12.20</b>	-	-	M12	20	0.052	100		piece

To order per full packaging.

Minimum number bolts and nuts: 1 pieces.



# I6KLMKP

## Joiner for I6KLM



Slides in the C-opening of the sidewalls.

Standard finish Stainless Steel 316

HD	Reference	↑ mm	↔ mm	→  ← mm	↔ mm	kg/ piece	📦	Stock	Unit
-	<b>I6KLMKP</b>	97	25		600	1.260	1		piece
Fix with:									
-	<b>I6RO12</b>	-	-	M12	-	0.006	100		piece
-	<b>I6M12</b>	-	-	M12	-	0.017	100		piece
-	<b>I6RBK12.20</b>	-	-	M12	20	0.052	100		piece

Minimum number bolts and nuts: 4 pieces.

# I6KLMZWBK

## Bracket clamp for I6KLM/I6KLZ/I6KLW



For fixing the cable ladder on the wall bracket.  
Number: 2 per bracket

Standard finish Stainless Steel 316

HD	Reference	↑ mm	↔ mm	→  ← mm	↔ mm	kg/ piece	📦	Stock	Unit
-	<b>I6KLMZWBK25</b>	20	25		-	0.051	20		piece
-	<b>I6KLMZWBK40</b>	20	40		-	0.125	20	X	piece

To order per full packaging.

I6KLMZWBK25: Included: Bolt I6B6.20 and nuts I6RM6.

25 for cantilevers

40 for profiles.

## DOPKLM

End cap for KLM



Color Yellow

Standard finish Polyvinyl chloride

HD	Reference	↑ mm	↔ mm	→ ← mm	↔ mm	kg/ piece	📦	Stock	Unit
-	<b>DOPKLM</b>	125			-	0.034	12		piece

To order per full packaging.

## I6SLOS

Bolt-in partition



Standard finish Stainless Steel 316

HD	Reference	↑ mm	↔ mm	→ ← mm	↔ mm	kg/m	📦	Stock	Unit
-	<b>I6SLOS85</b>	85			3000	0.680	3		m

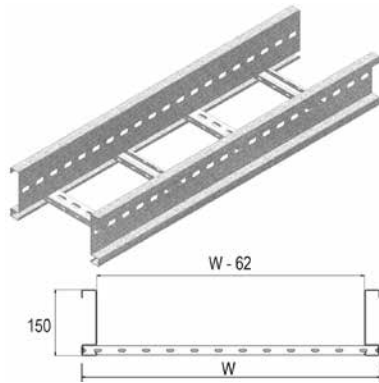
Fix with:

-	<b>I6RB6.20</b>	-	-	M6	20	0.006	100		piece
---	-----------------	---	---	----	----	-------	-----	--	-------

Fixing set: 1 per meter.

# I6KLZ

## Cable ladder height 150



Cable ladder for large support distances  
For span distance up to 8 metres  
Perforated C rungs 41 x 21

Usable inner height	127 mm
Rung distance	250 mm (to order : 100 mm - 300 mm, increments of 50 mm)
To order	length 3000 mm or 9000 mm
To order	width 700 - 1200 mm (increments of 100 mm)
Standard finish	Stainless Steel 316

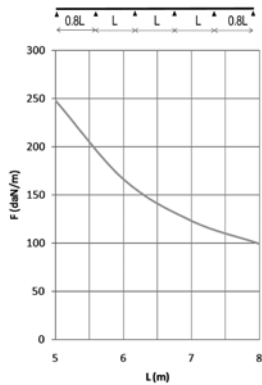
HD	Reference	mm	mm	mm	mm	kg/m	Stock	Unit
-	I6KLZ200	150	218	1.50	6000	7.520	48	m
-	I6KLZ300	150	318	1.50	6000	7.840	48	m
-	I6KLZ400	150	418	1.50	6000	8.160	48	m
-	I6KLZ500	150	518	1.50	6000	8.480	48	m
-	I6KLZ600	150	618	1.50	6000	8.810	48	m

Fix with:

-	I6RBK12.20	-	-	M12	20	0.052	100	piece
-	I6M12	-	-	M12	-	0.017	100	piece
-	I6RO12	-	-	M12	-	0.006	100	piece
-	I6KLZKP	121	25	-	600	1.490	1	piece

### LOAD DIAGRAM

This diagram illustrates the permissible uniformly distributed horizontal loads applied to multiple supports. They comply with IEC 61537 with connection in the centre of the span and the end span = 0,8x the span.



F = max. admissible load (daN/m)  
L = support distance (m)  
Max. deflection (m) = L/200

### CHARACTERISTICS

- strong
- usable inner height 127 mm, ideal for large diameter cables
- no further coupling holes are required if the cable ladder is cut
- no joiners are required to attach accessories such as bends, tees etc.
- rungs are perforated to enable efficient attachment of cables
- partition (I6SLOS110) can be fixed to the cable ladder with a sliding nut (I6PNP06) and pan head bolt (I6RB6.20).

### TECHNICAL INFORMATION

- Side walls are constructed from S profile with a return flange and are continuously perforated
- C-profile rungs are fixed at 250 mm intervals.
- rungs are mechanically attached to the side wall of the cable ladder.
- rungs are alternately placed with openings upwards and downwards.

# I6DIG

## Cover



Standard finish

Stainless Steel 316

HD	Reference	↑ mm	↔ mm	↔ ← mm	↔↔ mm	kg/m	📦	Stock	Unit
-	<b>I6DIG200</b>	15	223	0.80	2000	1.850	10		m
-	<b>I6DIG300</b>	15	323	0.80	2000	2.650	10		m
-	<b>I6DIG400</b>	15	423	1.25	2000	4.100	10		m
-	<b>I6DIG500</b>	15	523	1.25	2000	5.050	10		m
-	<b>I6DIG600</b>	15	623	1.25	2000	5.950	10		m

Fix with:

-	<b>I6DKIG</b>	-	-	-	-	0.030	20		piece
---	---------------	---	---	---	---	-------	----	--	-------

Covers with width &gt; 400 mm are delivered with diagonal reinforcements.

# I6DKIG

## Cover clamp



Number: 2 pieces per metre.

Standard finish

Stainless Steel 316

HD	Reference	↑ mm	↔ mm	↔ ← mm	↔↔ mm	kg/ piece	📦	Stock	Unit
-	<b>I6DKIG</b>	-			-	0.030	20		piece

To order per full packaging.  
Included: Bolt I6B6.30

# I6KLMZWABD

## Distance bracket cover I6KLM/I6KLZ/I6KLW



Number: 2 pieces per metre.

Standard finish

Stainless Steel 316

HD	Reference	↑ mm	↔ mm	↔ ← mm	↔↔ mm	kg/ piece	📦	Stock	Unit
-	<b>I6KLMZWABD</b>	155	40		34	0.187	4		piece

Fix with:

-	<b>I6DKIG</b>	-	-	-	-	0.030	20		piece
---	---------------	---	---	---	---	-------	----	--	-------

To order per full packaging.

# I6KLZB

## Horizontal bend for I6KLZ



Radius	600 mm
Standard finish	Stainless Steel 316

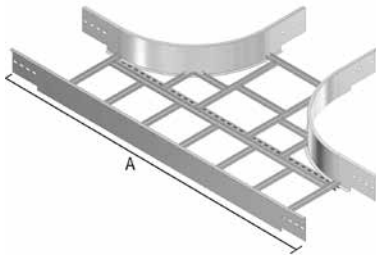
HD	Reference	↑ mm	↔ mm	↔ mm	↔ mm	kg/ piece	📦	Stock	Unit
-	<b>I6KLZB200</b>	150	208		-	7.705	1		piece
-	<b>I6KLZB300</b>	150	308		-	8.620	1		piece
-	<b>I6KLZB400</b>	150	408		-	9.543	1		piece
-	<b>I6KLZB500</b>	150	508		-	10.461	1		piece
-	<b>I6KLZB600</b>	150	608		-	11.381	1		piece

Fix with:									
-	<b>I6RBK12.20</b>	-	-	M12	20	0.052	100		piece
-	<b>I6M12</b>	-	-	M12	-	0.017	100		piece
-	<b>I6RO12</b>	-	-	M12	-	0.006	100		piece

Minimum number bolts and nuts: 8 pieces.

# I6KLZT

## T-piece for I6KLZ



Radius	600 mm
Standard finish	Stainless Steel 316

W (mm)	200	300	400	500	600
A (mm)	1962	2062	2162	2262	2362

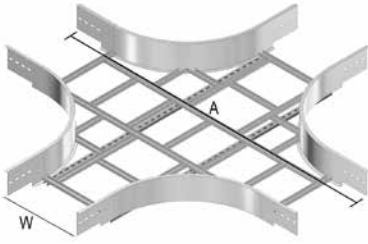
HD	Reference	↑ mm	↔ mm	↔ mm	↔ mm	kg/ piece	📦	Stock	Unit
-	<b>I6KLZT200</b>	150	208		-	13.017	1		piece
-	<b>I6KLZT300</b>	150	308		-	13.974	1		piece
-	<b>I6KLZT400</b>	150	408		-	14.931	1		piece
-	<b>I6KLZT500</b>	150	508		-	15.888	1		piece
-	<b>I6KLZT600</b>	150	608		-	16.843	1		piece

Fix with:									
-	<b>I6RBK12.20</b>	-	-	M12	20	0.052	100		piece
-	<b>I6M12</b>	-	-	M12	-	0.017	100		piece
-	<b>I6RO12</b>	-	-	M12	-	0.006	100		piece

Minimum number bolts and nuts: 12 pieces.

## I6KLZX

### Cross-over for I6KLZ



Radius 600 mm

Standard finish Stainless Steel 316

W (mm)	200	300	400	500	600
A (mm)	1962	2062	2162	2262	2362

HD	Reference	↑ mm	↔ mm	↔ mm	↔ mm	kg/ piece	📦	Stock	Unit
-	<b>I6KLZX200</b>	150	208		-	15.159	1		piece
-	<b>I6KLZX300</b>	150	308		-	18.004	1		piece
-	<b>I6KLZX400</b>	150	408		-	19.122	1		piece
-	<b>I6KLZX500</b>	150	508		-	20.191	1		piece
-	<b>I6KLZX600</b>	150	608		-	21.259	1		piece

Fix with:

-	<b>I6RBK12.20</b>	-	-	M12	20	0.052	100		piece
-	<b>I6M12</b>	-	-	M12	-	0.017	100		piece
-	<b>I6RO12</b>	-	-	M12	-	0.006	100		piece

Minimum number bolts and nuts: 16 pieces.

## I6KLZVB

### External riser for I6KLZ



Radius 600 mm

Standard finish Stainless Steel 316

HD	Reference	↑ mm	↔ mm	↔ mm	↔ mm	kg/ piece	📦	Stock	Unit
-	<b>I6KLZVB200</b>	150	208		-	6.174	1		piece
-	<b>I6KLZVB300</b>	150	308		-	6.502	1		piece
-	<b>I6KLZVB400</b>	150	408		-	6.831	1		piece
-	<b>I6KLZVB500</b>	150	508		-	7.160	1		piece
-	<b>I6KLZVB600</b>	150	608		-	7.489	1		piece

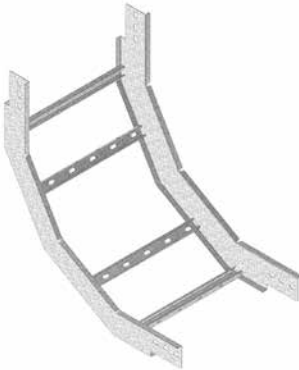
Fix with:

-	<b>I6RBK12.20</b>	-	-	M12	20	0.052	100		piece
-	<b>I6M12</b>	-	-	M12	-	0.017	100		piece
-	<b>I6RO12</b>	-	-	M12	-	0.006	100		piece

Minimum number bolts and nuts: 8 pieces.

# I6KLZSB

Internal riser for I6KLZ



Radius 600 mm  
Standard finish Stainless Steel 316

HD	Reference	↑ mm	↔ mm	↔ mm	↔ mm	kg/ piece	📦	Stock	Unit
-	<b>I6KLZSB200</b>	150	208		-	6.174	1		piece
-	<b>I6KLZSB300</b>	150	308		-	5.634	1		piece
-	<b>I6KLZSB400</b>	150	408		-	6.831	1		piece
-	<b>I6KLZSB500</b>	150	508		-	7.160	1		piece
-	<b>I6KLZSB600</b>	150	608		-	7.489	1		piece

Fix with:

-	<b>I6RBK12.20</b>	-	-	M12	20	0.052	100		piece
-	<b>I6M12</b>	-	-	M12	-	0.017	100		piece
-	<b>I6RO12</b>	-	-	M12	-	0.006	100		piece

Minimum number bolts and nuts: 8 pieces.

# I6KLZVSB

Flexible (rising / low) bend for I6KLZ



Standard finish Stainless Steel 316

HD	Reference	↑ mm	↔ mm	↔ mm	↔ mm	kg/ piece	📦	Stock	Unit
-	<b>I6KLZVSB200</b>	150	218		1135	13.680	1		piece
-	<b>I6KLZVSB300</b>	150	318		1135	14.000	1		piece
-	<b>I6KLZVSB400</b>	150	418		1135	14.320	1		piece
-	<b>I6KLZVSB500</b>	150	518		1135	14.640	1		piece
-	<b>I6KLZVSB600</b>	150	618		1135	14.964	1		piece

Fix with:

-	<b>I6RBK12.20</b>	-	-	M12	20	0.052	100		piece
-	<b>I6M12</b>	-	-	M12	-	0.017	100		piece
-	<b>I6RO12</b>	-	-	M12	-	0.006	100		piece

Minimum number bolts and nuts: 8 pieces.

# I6KLZAH

## Horizontal branch hook for I6KLZ



Slides in the C-opening of the sidewalls.

Standard finish

Stainless Steel 316

HD	Reference	↑ mm	↔ mm	→ ← mm	↔ mm	kg/ piece	📦	Stock	Unit
-	<b>I6KLZAH</b>	120	169		150	0.830	2		piece
Fix with:									
-	<b>I6RBK12.20</b>	-	-	M12	20	0.052	100		piece
-	<b>I6M12</b>	-	-	M12	-	0.017	100		piece
-	<b>I6RO12</b>	-	-	M12	-	0.006	100		piece

To order per full packaging.

Minimum number bolts and nuts: 4 pieces.

# I6KLZAHV

## Vertikal branch hook for I6KLZ



Slides in the C-opening of the sidewalls .

Standard finish

Stainless Steel 316

HD	Reference	↑ mm	↔ mm	→ ← mm	↔ mm	kg/ piece	📦	Stock	Unit
-	<b>I6KLZAHV</b>	120	27		290	0.830	2		piece
Fix with:									
-	<b>I6RBK12.20</b>	-	-	M12	20	0.052	100		piece
-	<b>I6M12</b>	-	-	M12	-	0.017	100		piece
-	<b>I6RO12</b>	-	-	M12	-	0.006	100		piece

To order per full packaging.

Minimum number bolts and nuts: 3 pieces.



# I6KLZDSH

## Horizontal hinged joiner for I6KLZ



Slides in the C-opening of the sidewalls  
Premounted

Standard finish Stainless Steel 316

HD	Reference	↑ mm	↔ mm	↔ mm	↔ mm	kg/ piece	📦	Stock	Unit
-	<b>I6KLZDSH</b>	120	25		330	0.800	2		piece

Fix with:

-	<b>I6RBK12.20</b>	-	-	M12	20	0.052	100		piece
-	<b>I6M12</b>	-	-	M12	-	0.017	100		piece
-	<b>I6RO12</b>	-	-	M12	-	0.006	100		piece

To order per full packaging.  
Minimum number bolts and nuts: 4 pieces.

# I6KLZDSV

## Vertical hinged joiner for I6KLZ



Premounted with B10.20

Standard finish Stainless Steel 316

HD	Reference	↑ mm	↔ mm	↔ mm	↔ mm	kg/ piece	📦	Stock	Unit
-	<b>I6KLZDSV</b>	120	20		434	1.540	2		piece

Fix with:

-	<b>I6RBK12.20</b>	-	-	M12	20	0.052	100		piece
-	<b>I6M12</b>	-	-	M12	-	0.017	100		piece
-	<b>I6RO12</b>	-	-	M12	-	0.006	100		piece

To order per full packaging.  
Minimum number bolts and nuts: 4 pieces.

## I6KLZVST

### Floor support for I6KLZ



Standard finish

Stainless Steel 316

HD	Reference	↑ mm	↔ mm	↔  mm	↔ mm	kg/ piece	📦	Stock	Unit
-	<b>I6KLZVST</b>	120	125		150	0.770	2		piece
Fix with:									
-	<b>I6RBK12.20</b>	-	-	M12	20	0.052	100		piece
-	<b>I6M12</b>	-	-	M12	-	0.017	100		piece
-	<b>I6RO12</b>	-	-	M12	-	0.006	100		piece

To order per full packaging.  
Minimum number bolts and nuts: 2 pieces.

## I6KLZVS

### Reducing plate for I6KLZ



Max. reduction of 300mm

Standard finish

Stainless Steel 316

HD	Reference	↑ mm	↔ mm	↔  mm	↔ mm	kg/ piece	📦	Stock	Unit
-	<b>I6KLZVS</b>	120	20		500	1.260	1		piece
Fix with:									
-	<b>I6RBK12.20</b>	-	-	M12	20	0.052	100		piece
-	<b>I6M12</b>	-	-	M12	-	0.017	100		piece
-	<b>I6RO12</b>	-	-	M12	-	0.006	100		piece

Minimum number bolts and nuts: 4 pieces.

## I6KLMZWAB

### Distance bracket for I6KLM/I6KLZ/I6KLW



Used for vertical mounting of the cable ladder.

Standard finish

Stainless Steel 316

HD	Reference	↑ mm	↔ mm	↔  mm	↔ mm	kg/ piece	📦	Stock	Unit
-	<b>I6KLMZWAB</b>	170	50		61	0.304	4		piece
Fix with:									
-	<b>I6RBK12.20</b>	-	-	M12	20	0.052	100		piece
-	<b>I6M12</b>	-	-	M12	-	0.017	100		piece
-	<b>I6RO12</b>	-	-	M12	-	0.006	100		piece

To order per full packaging.  
Minimum number bolts and nuts: 1 pieces.

# I6KLZKP

## Joiner for I6KLZ



Slides in the C-opening of the sidewalls

Standard finish Stainless Steel 316

HD	Reference	↑ mm	↔ mm	→ ← mm	↔ mm	kg/ piece	📦	Stock	Unit
-	<b>I6KLZKP</b>	121	25		600	1.490	1		piece
Fix with:									
-	<b>I6RBK12.20</b>	-	-	M12	20	0.052	100		piece
-	<b>I6M12</b>	-	-	M12	-	0.017	100		piece
-	<b>I6RO12</b>	-	-	M12	-	0.006	100		piece

Minimum number bolts and nuts: 4 pieces.

# I6KLMZWBK

## Bracket clamp for I6KLM/I6KLZ/I6KLW



For fixing the cable ladder on the wall bracket.  
Number: 2 per bracket

Standard finish Stainless Steel 316

HD	Reference	↑ mm	↔ mm	→ ← mm	↔ mm	kg/ piece	📦	Stock	Unit
-	<b>I6KLMZWBK25</b>	20	25		-	0.051	20		piece

To order per full packaging.  
I6KLMZWBK25: Included: Bolt I6B6.20 and nuts I6RM6

# DOPKLZ

## End cap for KLZ



Color Yellow

Standard finish Polyvinyl chloride

HD	Reference	↑ mm	↔ mm	→ ← mm	↔ mm	kg/ piece	📦	Stock	Unit
-	<b>DOPKLZ</b>	150			-	0.038	12		piece

To order per full packaging.

# I6SLOS

## Bolt-in partition



Standard finish

Stainless Steel 316

HD	Reference	↑ mm	↔ mm	↔ mm	↔ mm	kg/m	📦	Stock	Unit
-	<b>I6SLOS110</b>	110			3000	0.820	3		m
Fix with:									
-	<b>I6RB6.20</b>	-	-	M6	20	0.006	100		piece

Fixing set: 1 per meter.

# I6KSF

## Cable Ladder Food and Pharma



Closed tubular tube girders.  
Rounded corner profile.

Usable inner height	28 mm
Rung distance	250 mm
Standard finish	Stainless Steel 316

HD	Reference	↑ mm	↔ mm	↔ mm	↔ mm	kg/m	📦	Stock	Unit
-	<b>I6KSF200</b>	60	200		6000	3.036	6		m
-	<b>I6KSF300</b>	60	300		6000	3.484	6		m
-	<b>I6KSF400</b>	60	400		6000	3.928	6		m
-	<b>I6KSF600</b>	60	600		6000	4.820	6		m
Fix with:									
-	<b>I6KSFKP</b>	-	-	-	-	-	-	-	-

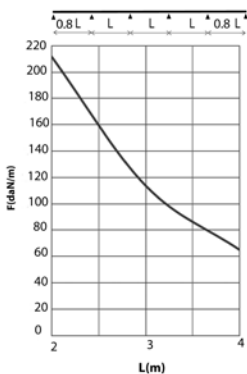
### LOAD DIAGRAM

This diagram illustrates the permissible uniformly distributed horizontal loads applied to multiple supports. They comply with IEC 61537 par 10.3.3 test type III with connection to 1/5 of the span.

F = max. admissible load (daN/m)

L = support distance (m)

Max. deflection (m) = L/100



The technical information for this product can be found at the end of this chapter.

### CHARACTERISTICS

Ladder for food en pharmaceutical applications.

Special rungs to facilitate water evacuation.

### TECHNICAL INFO

Side walls are constructed from tubular section 60 mm x 15 mm.

The rungs have a corner profile rounded off with a radius of 6mm at the top. Rungs are fixed at 250 mm intervals.

# I6KSFB

Horizontal bend for I6KSF



Standard finish

Stainless Steel 316

HD	Reference	↓ mm	↔ mm	→  ← mm	↔ mm	kg/ piece	📦	Stock	Unit
-	<b>I6KSFB200</b>	60	200		-	3.622	1		piece
-	<b>I6KSFB300</b>	60	300		-	4.156	1		piece
-	<b>I6KSFB400</b>	60	400		-	4.686	1		piece
-	<b>I6KSFB600</b>	60	600		-	5.750	1		piece

# I6KSFKP

Joiner for I6KSF



Standard finish

Stainless Steel 316

HD	Reference	↓ mm	↔ mm	→  ← mm	↔ mm	kg/ piece	📦	Stock	Unit
-	<b>I6KSFKP</b>	-			-	0.324	-		piece

# I6KSFKK

Bracket clamp for I6KSF



Standard finish

Stainless Steel 316

HD	Reference	↓ mm	↔ mm	→  ← mm	↔ mm	kg/ piece	📦	Stock	Unit
-	<b>I6KSFKK</b>	-			-	0.097	-		piece

## DOPKS

End cap for I6KSF



Color yellow

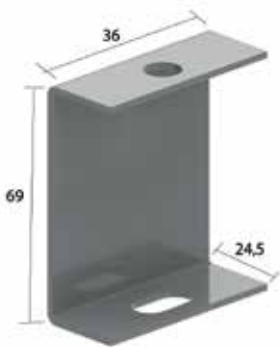
Standard finish Polyvinyl chloride

HD	Reference	↑ mm	↔ mm	→ ← mm	↔ mm	kg/ piece	📦	Stock	Unit
-	<b>DOPKS</b>	60			-	0.010	50	X	piece

To order per full packaging.

## I6PB

Ceiling bracket



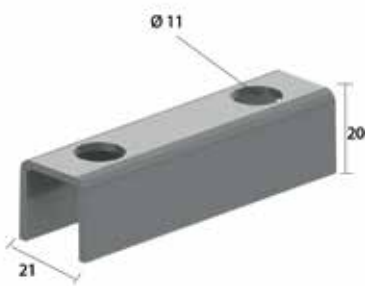
Standard finish Stainless Steel 316

HD	Reference	↑ mm	↔ mm	→ ← mm	↔ mm	kg/ piece	📦	Stock	Unit
-	<b>I6PB</b>	70			-	0.100	20	X	piece

To order per full packaging.

## I4VOMEGA

Joining piece



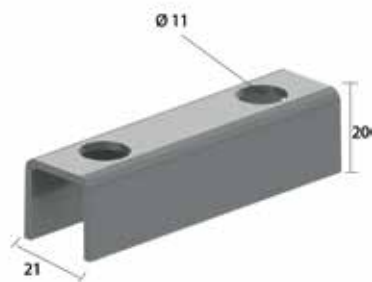
Standard finish Stainless Steel 304

HD	Reference	↑ mm	↔ mm	→ ← mm	↔ mm	kg/ piece	📦	Stock	Unit
-	<b>I4VOMEGA</b>	-			-	0.060	10		piece

To order per full packaging.  
For wall mounting 1 piece.  
For double mounting 2 pieces, back to back.

# I6VOMEGA

## Joining piece



Standard finish

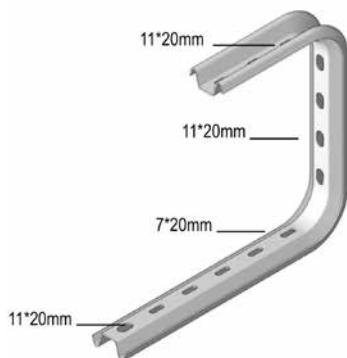
Stainless Steel 316

HD	Reference	↓ mm	↔ mm	→ ← mm	↔ mm	kg/ piece	📦	Stock	Unit
-	<b>I6VOMEGA</b>	-			-	0.060	10	X	piece

To order per full packaging.  
For wall mounting 1 piece.  
For double mounting 2 pieces, back to back.

# I4COMEGA290

## Open suspension bracket



Useful for direct mounting to the ceiling or with threaded rod I6TIM 8 or I6TIM10.

Standard finish

Stainless Steel 304

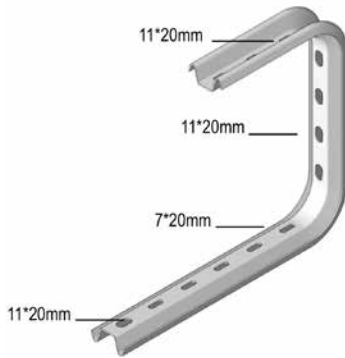
	Max. load (in daN)
100	70
150	60
200	60
300	50
400	50

HD	Reference	↓ mm	↔ mm	→ ← mm	↔ mm	kg/ piece	📦	Stock	Unit
-	<b>I4COMEGA290.100</b>	290	145		-	0.520	12	X	piece
-	<b>I4COMEGA290.150</b>	290	195		-	0.560	12	X	piece
-	<b>I4COMEGA290.200</b>	290	245		-	0.620	12	X	piece
-	<b>I4COMEGA290.300</b>	290	345		-	0.820	6	X	piece
-	<b>I4COMEGA290.400</b>	290	445		-	0.930	6	X	piece

Fixing of the cable tray by I6VM6.20. Use the I4VOMEGA to avoid compression of the profile.

## I6COMEGA290

### Open suspension bracket



Useful for direct mounting to the ceiling or with threaded rod I6TIM8 or I6TIM10.

Standard finish

Stainless Steel 316

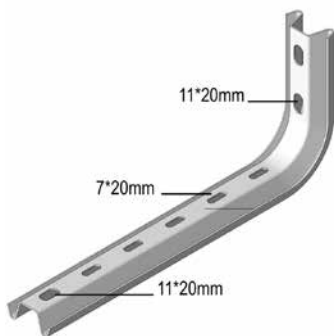
	Max. load (in daN)
100	70
150	60
200	60
300	50
400	50

HD	Reference	↑ mm	↔ mm	↔ mm	↔ mm	kg/ piece	📦	Stock	Unit
-	<b>I6COMEGA290.100</b>	290	145		-	0.520	12	X	piece
-	<b>I6COMEGA290.150</b>	290	195		-	0.560	12	X	piece
-	<b>I6COMEGA290.200</b>	290	245		-	0.620	12	X	piece
-	<b>I6COMEGA290.300</b>	290	345		-	0.820	6	X	piece
-	<b>I6COMEGA290.400</b>	290	445		-	0.930	6	X	piece

Fixing of the cable tray by I6VM6.20. Use the I6VOMEGA to avoid compression of the profile.

## I4LOMEGA150

### Bracket / Ceiling profile



Standard finish

Stainless Steel 304

	Max. load (in daN)
100	110
150	100
200	90
300	70
400	50
500	40
600	30

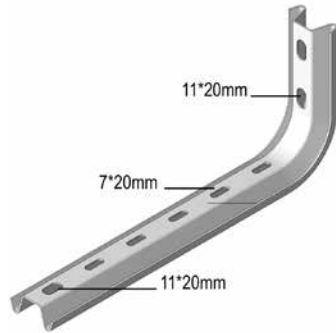
HD	Reference	↑ mm	↔ mm	↔ mm	↔ mm	kg/ piece	📦	Stock	Unit
-	<b>I4LOMEGA150.100</b>	145	145		-	0.300	12	X	piece
-	<b>I4LOMEGA150.150</b>	145	195		-	0.320	12	X	piece
-	<b>I4LOMEGA150.200</b>	145	245		-	0.340	12	X	piece
-	<b>I4LOMEGA150.300</b>	145	345		-	0.490	6	X	piece
-	<b>I4LOMEGA150.400</b>	145	445		-	0.540	6	X	piece
-	<b>I4LOMEGA150.500</b>	145	545		-	0.640	6	X	piece
-	<b>I4LOMEGA150.600</b>	145	645		-	0.770	6	X	piece

Use the I4VOMEGA to avoid compression of the profiles.



# I6LOMEGA150

## Bracket / Ceiling profile



Standard finish

Stainless Steel 316

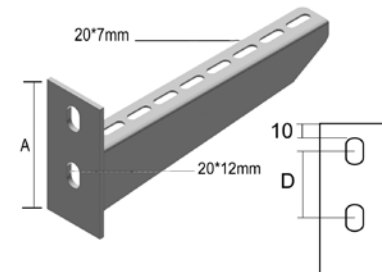
	Max. load (in daN)
100	110
150	100
200	90
300	70
400	50
500	40
600	30

HD	Reference	↓ mm	↔ mm	↔ mm	↔ mm	kg/ piece	📦	Stock	Unit
-	<b>I6LOMEGA150.100</b>	145	145		-	0.300	12	X	piece
-	<b>I6LOMEGA150.150</b>	145	195		-	0.320	12	X	piece
-	<b>I6LOMEGA150.200</b>	145	245		-	0.340	12	X	piece
-	<b>I6LOMEGA150.300</b>	145	345		-	0.490	6	X	piece
-	<b>I6LOMEGA150.400</b>	145	445		-	0.540	6	X	piece
-	<b>I6LOMEGA150.500</b>	145	545		-	0.640	6	X	piece
-	<b>I6LOMEGA150.600</b>	145	645		-	0.770	6	X	piece

Use the I6VOMEGA to avoid compression of the profiles.

# I4WK

## Welded bracket



For direct fixing on the wall or on ceiling profiles.

Standard finish

Stainless Steel 304

Width	Max. load (in daN)	A	D
100	360	98	38
150	300	102	42
200	240	106	46
300	250	114	54
400	260	122	62
500	220	130	70
600	180	138	78

HD	Reference	↓ mm	↔ mm	↔ mm	↔ mm	kg/ piece	📦	Stock	Unit
-	<b>I4WK100</b>	98	117		-	0.300	24		piece
-	<b>I4WK150</b>	102	167		-	0.360	24		piece
-	<b>I4WK200</b>	106	217		-	0.430	12		piece
-	<b>I4WK300</b>	114	317		-	0.730	1		piece
-	<b>I4WK400</b>	122	417		-	0.880	6		piece
-	<b>I4WK500</b>	130	517		-	1.300	6		piece
-	<b>I4WK600</b>	138	617		-	1.600	6		piece

For fixing on the ceiling profile, the necessary fixing set is to be ordered separately : sliding nut I6PNP10 and bolt I6B10.20.

Max. load (in daN): Uniformly distributed load (UDL) over complete width of cantilever brackets.

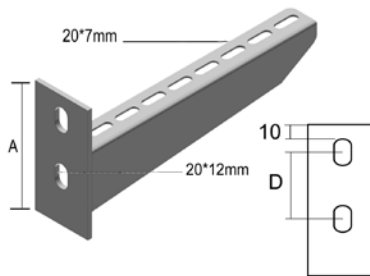
# I6WK

## Welded bracket

For direct fixing on the wall or on ceiling profiles.

Standard finish

Stainless Steel 316



Width	Max. load (in daN)	A	D
100	360	98	38
150	300	102	42
200	240	106	46
300	250	114	54
400	260	122	62
500	220	130	70
600	180	138	78

HD	Reference	↑ mm	↔ mm	↔ mm	↔ mm	kg/ piece	📦	Stock	Unit
-	<b>I6WK100</b>	98	117		-	0.300	24	X	piece
-	<b>I6WK150</b>	102	167		-	0.360	24	X	piece
-	<b>I6WK200</b>	106	217		-	0.430	12	X	piece
-	<b>I6WK300</b>	114	317		-	0.730	12	X	piece
-	<b>I6WK400</b>	122	417		-	0.880	6	X	piece
-	<b>I6WK500</b>	130	517		-	1.300	6	X	piece
-	<b>I6WK600</b>	138	617		-	1.600	6	X	piece

For fixing on the ceiling profile, the necessary fixing set is to be ordered separately : sliding nut I6PNP10 and bolt I6B10.20.

Max. load (in daN): Uniformly distributed load (UDL) over complete width of cantilever brackets.

# I6WSU

## Universal support bracket

For direct fixing on the wall

Standard finish

Stainless Steel 316



	Max. load (in daN)
100	120
150	120
200	120
250	120
300	120
400	120
500	120
600	120

HD	Reference	↑ mm	↔ mm	↔ mm	↔ mm	kg/ piece	📦	Stock	Unit
-	<b>I6WSU100</b>	60	128		-	0.208	24	X	piece
-	<b>I6WSU150</b>	66	178		-	0.291	24	X	piece
-	<b>I6WSU200</b>	73	228		-	0.378	24	X	piece
-	<b>I6WSU250</b>	79	278		-	0.469	12	X	piece
-	<b>I6WSU300</b>	85	328		-	0.563	12	X	piece
-	<b>I6WSU400</b>	98	428		-	0.763	12	X	piece
-	<b>I6WSU500</b>	110	528		-	0.978	6	X	piece
-	<b>I6WSU600</b>	122	628		-	1.209	6	X	piece

Max. load (in daN): uniformly distributed over complete width of cantilever brackets.

# I6HSLES

## Single ceiling profile



For fixing of brackets on one side.  
Profile: I6MP41.21  
Welded head plate: 120 x 120 mm

Standard finish Stainless Steel 316

HD	Reference	↓ mm	↔ mm	→  ← mm	↔ mm	kg/ piece	📦	Stock	Unit
-	<b>I6HSLES200</b>	-			200	0.650	1	X	piece
-	<b>I6HSLES300</b>	-			300	0.770	1	X	piece
-	<b>I6HSLES400</b>	-			400	0.890	1	X	piece
-	<b>I6HSLES500</b>	-			500	1.010	1	X	piece
-	<b>I6HSLES600</b>	-			600	1.130	1	X	piece
-	<b>I6HSLES800</b>	-			800	1.370	1	X	piece
-	<b>I6HSLES1000</b>	-			1000	1.610	1	X	piece
-	<b>I6HSLES1200</b>	-			1200	1.850	1	X	piece

Use sliding nut I6PNP10 and hexagonal bolt I6B10.20.

# I6TIM

## Threaded rod (DIN 975)



Standard finish Stainless Steel 316

HD	Reference	↓ mm	↔ mm	→  ← mm	↔ mm	kg/m	📦	Stock	Unit
-	<b>I6TIM6</b>	-		M6	2000	0.175	200	X	m
-	<b>I6TIM8</b>	-		M8	2000	0.319	200	X	m
-	<b>I6TIM10</b>	-		M10	2000	0.500	200	X	m

# I6VM

## Toothed round head bolt / flange nut



Standard finish Stainless Steel 316

HD	Reference	↓ mm	↔ mm	→  ← mm	↔ mm	kg/ piece	📦	Stock	Unit
-	<b>I6VM6.10</b>	-		M6	10	0.008	100	X	piece
-	<b>I6VM6.20</b>	-		M6	20	0.009	100	X	piece

To order per full packaging.

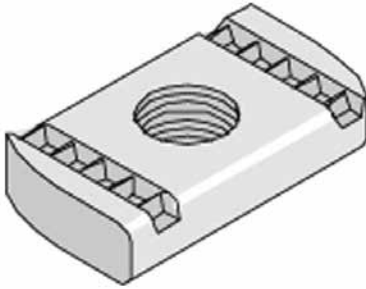
## I6PNP06-I6PNP12A

UNISTRUT®

### Sliding nut for supporting profile

Standard finish

Stainless Steel 316



HD	Reference	↑ mm	↔ mm	↔ mm	↔ mm	kg/ piece	📦	Stock	Unit
-	I6PNP06	-			-	0.028	100	X	piece
-	I6PNP08	-			-	0.034	100	X	piece
-	I6PNP10	-			-	0.038	100	X	piece
-	I6PNP12A	-			-	0.038	100	X	piece

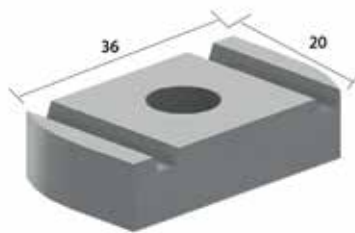
To order per full packaging.

## I6GM

### Sliding nut for supporting profile

Standard finish

Stainless Steel 316



HD	Reference	↑ mm	↔ mm	↔ mm	↔ mm	kg/ piece	📦	Stock	Unit
-	I6GM6	-		M6	-	0.010	50		piece

To order per full packaging.

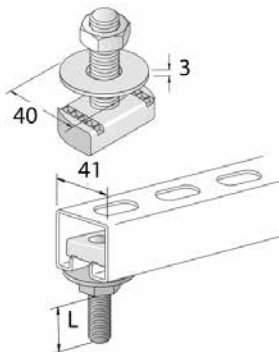
## I6SN

### Sliding nut for supporting profile

UNISTRUT®

Standard finish

Stainless Steel 316



HD	Reference	↑ mm	↔ mm	↔ mm	↔ mm	kg/ piece	📦	Stock	Unit
-	I6M8X40SN	-			-	0.234	100		piece
-	I6M10X40SN	-			-	0.339	100		piece
-	I6M12X40SN	-			-	0.117	100		piece

To order per full packaging.

# I6RBK

## Round head square neck bolt (DIN 603)



Standard finish

Stainless Steel 316

HD	Reference	↓ mm	↔ mm	→ ← mm	↔ mm	kg/ piece	📦	Stock	Unit
-	<b>I6RBK12.20</b>	-		M12	20	0.052	100		piece

To order per full packaging.

# I6RB

## Toothed round head bolt



Standard finish

Stainless Steel 316

HD	Reference	↓ mm	↔ mm	→ ← mm	↔ mm	kg/ piece	📦	Stock	Unit
-	<b>I6RB6.10</b>	-		M6	10	0.004	100		piece
-	<b>I6RB6.20</b>	-		M6	20	0.006	100		piece

To order per full packaging.

# I6RM

## Flange nut (DIN 6923)

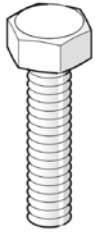


Standard finish

Stainless Steel 316

HD	Reference	↓ mm	↔ mm	→ ← mm	↔ mm	kg/ piece	📦	Stock	Unit
-	<b>I6RM6</b>	-		M6	-	0.003	100		piece

To order per full packaging.

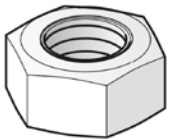
**I6B****Bolt (DIN 933)**

Standard finish

Stainless Steel 316

HD	Reference	↑ mm	↔ mm	→ ← mm	↔ mm	kg/ piece	📦	Stock	Unit
-	<b>I6B6.20</b>	-		M6	20	0.006	100	X	piece
-	<b>I6B6.30</b>	-		M6	30	0.008	100	X	piece
-	<b>I6B8.20</b>	-		M8	20	0.012	100	X	piece
-	<b>I6B8.30</b>	-		M8	30	0.016	100	X	piece
-	<b>I6B10.20</b>	-		M10	20	0.021	100	X	piece
-	<b>I6B10.30</b>	-		M10	30	0.027	100	X	piece
-	<b>I6B12.20</b>	-		M12	20	0.034	100		piece

To order per full packaging.

**I6M****Nut (DIN 934)**

Standard finish

Stainless Steel 316

HD	Reference	↑ mm	↔ mm	→ ← mm	↔ mm	kg/ piece	📦	Stock	Unit
-	<b>I6M6</b>	-		M6	-	0.003	100	X	piece
-	<b>I6M8</b>	-		M8	-	0.005	100	X	piece
-	<b>I6M10</b>	-		M10	-	0.010	100	X	piece
-	<b>I6M12</b>	-		M12	-	0.017	100		piece

To order per full packaging.

**I6CRO****Flat giant washer (DIN 9021)**

Standard finish

Stainless Steel 316

HD	Reference	↑ mm	↔ mm	→ ← mm	↔ mm	kg/ piece	📦	Stock	Unit
-	<b>I6CRO6</b>	-		M6	-	0.003	100	X	piece
-	<b>I6CRO8</b>	-		M8	-	0.006	100	X	piece
-	<b>I6CRO10</b>	-		M10	-	0.012	100	X	piece
-	<b>I6CRO12</b>	-		M12	-	0.027	100		piece

To order per full packaging.

# I6RO

Giant washer (DIN 125-1 A)



Standard finish

Stainless Steel 316

HD	Reference	↕ mm	↔ mm	↗↖ mm	↔ mm	kg/ piece	📦	Stock	Unit
-	<b>I6RO6</b>	-		M6	-	0.001	100	X	piece
-	<b>I6RO8</b>	-		M8	-	0.002	100	X	piece
-	<b>I6RO10</b>	-		M10	-	0.004	100	X	piece
-	<b>I6RO12</b>	-		M12	-	0.006	100		piece

To order per full packaging.

# I6PSB - I6135.17.02

Perforated Steel Band

**UNISTRUT®**

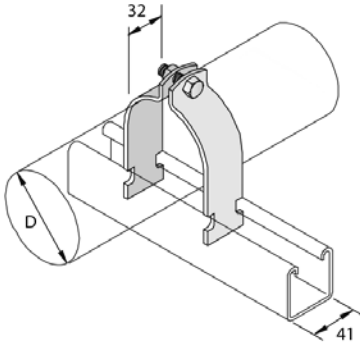


HD	Reference	↕ mm	↔ mm	↗↖ mm	↔ mm	kg/m	📦	Stock	Unit
-	<b>I6135.17.02</b>	-			-	0.060	100		m

# I6M1108-I6M1155

UNISTRUT®

## Pipe clamps



Standard finish

Stainless Steel 316

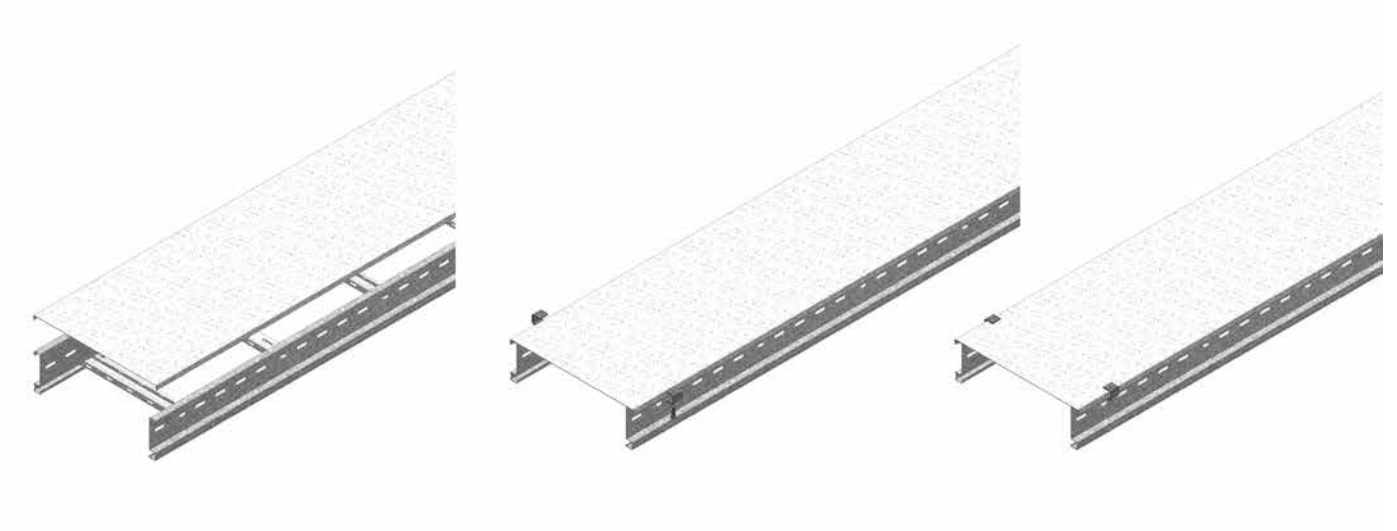
Reference	↑ mm	↔ mm	↔ mm	↔ mm	kg/ piece	📦 Stock	Unit
I6M1108	-	8,7 - 10,3			0.030	150	piece
I6M1109	-	10,3 - 12,7			0.030	150	piece
I6M1110	-	11,9 - 13,5			0.033	150	piece
I6M1111	-	13,5 - 14,3			0.034	150	piece
I6M1112	-	14,3 - 16,7			0.035	150	piece
I6M1113	-	15,9 - 18,3			0.037	150	piece
I6M1114	-	18,3 - 20,6			0.039	150	piece
I6M1115	-	19,0 - 21,4			0.040	150	piece
I6M1116	-	21,4 - 25,4			0.042	100	piece
I6M1117	-	25,4 - 27,8			0.045	100	piece
I6M1118	-	27,0 - 30,2			0.047	100	piece
I6M1119	-	30,2 - 33,8			0.051	100	piece
I6M1120	-	31,8 - 35,9			0.052	100	piece
I6M1121	-	34,9 - 39,7			0.057	100	piece
I6M1122	-	39,7 - 42,9			0.060	100	piece
I6M1123	-	42,9 - 46,8			0.064	100	piece
I6M1124	-	46,8 - 50,8			0.115	50	piece
I6M1125	-	48,4 - 52,4			0.118	50	piece
I6M1126	-	52,4 - 58,7			0.124	50	piece
I6M1127	-	58,7 - 63,5			0.137	50	piece
I6M1128	-	63,5 - 68,3			0.144	50	piece
I6M1129	-	68,3 - 73,0			0.152	50	piece
I6M1130	-	73,0 - 79,4			0.160	50	piece
I6M1131	-	76,2 - 82,6			0.168	50	piece
I6M1132	-	82,6 - 88,1			0.174	50	piece
I6M1133	-	88,1 - 95,2			0.183	50	piece
I6M1134	-	95,2 - 100,0			0.197	25	piece
I6M1135	-	100,0 - 106,4			0.205	25	piece
I6M1136	-	106,4 - 111,1			0.217	25	piece
I6M1137	-	111,1 - 120,7			0.226	25	piece
I6M1138	-	120,7 - 129,4			0.243	25	piece
I6M1139	-	129,4 - 138,1			0.256	25	piece
I6M1140	-	138,1 - 149,2			0.269	25	piece
I6M1141	-	149,2 - 161,9			0.293	25	piece
I6M1142	-	161,9 - 174,6			0.315	25	piece
I6M1143	-	174,6 - 182,6			0.328	25	piece
I6M1144	-	182,6 - 190,5			0.341	25	piece
I6M1145	-	190,5 - 203,2			0.357	20	piece
I6M1146	-	203,2 - 212,7			0.375	20	piece
I6M1147	-	212,7 - 225,4			0.395	20	piece
I6M1148	-	225,4 - 238,1			0.420	15	piece
I6M1149	-	238,1 - 250,8			0.436	15	piece
I6M1150	-	250,8 - 263,5			0.458	15	piece
I6M1151	-	163,5 - 276,2			0.479	15	piece
I6M1152	-	275,2 - 288,9			0.499	15	piece
I6M1153	-	288,9 - 301,6			0.524	15	piece
I6M1154	-	301,6 - 314,3			0.540	10	piece
I6M1155	-	314,3 - 327,0			0.559	10	piece

To order per full packaging.



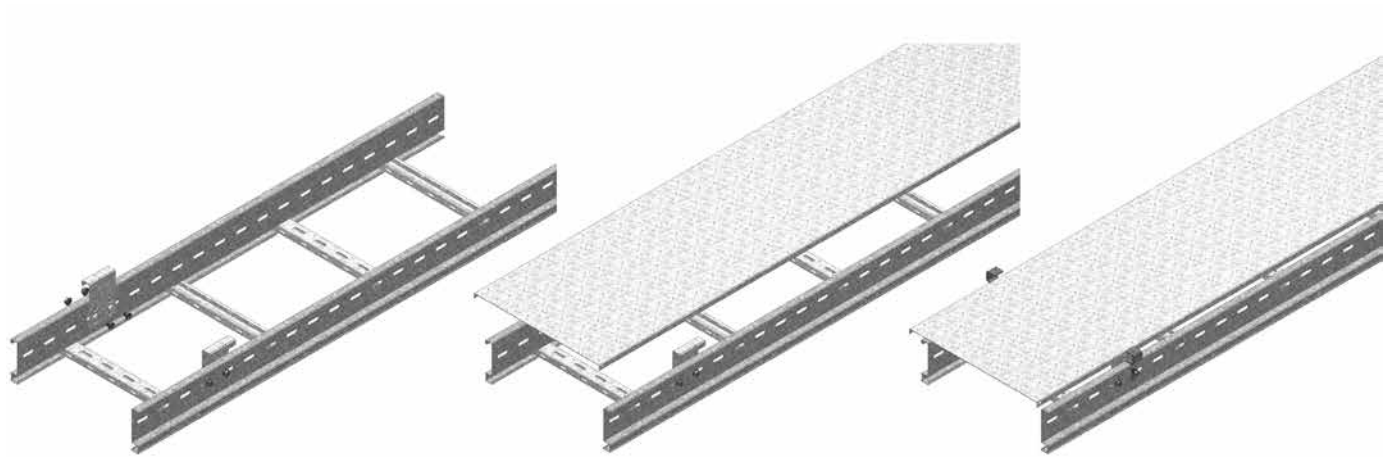
# I6KLLDK

Technical information



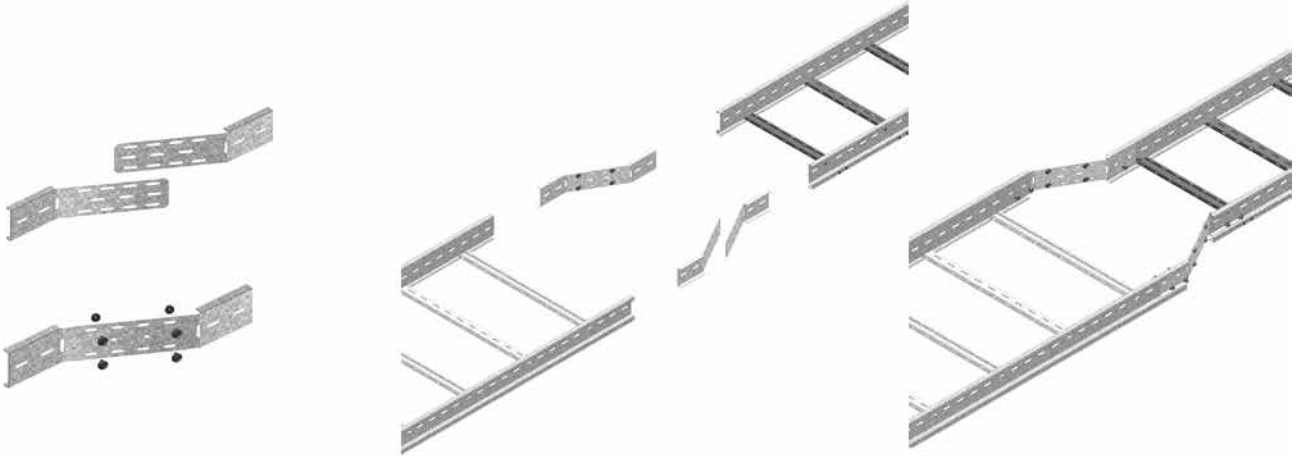
# I6KLLBD

Technical information



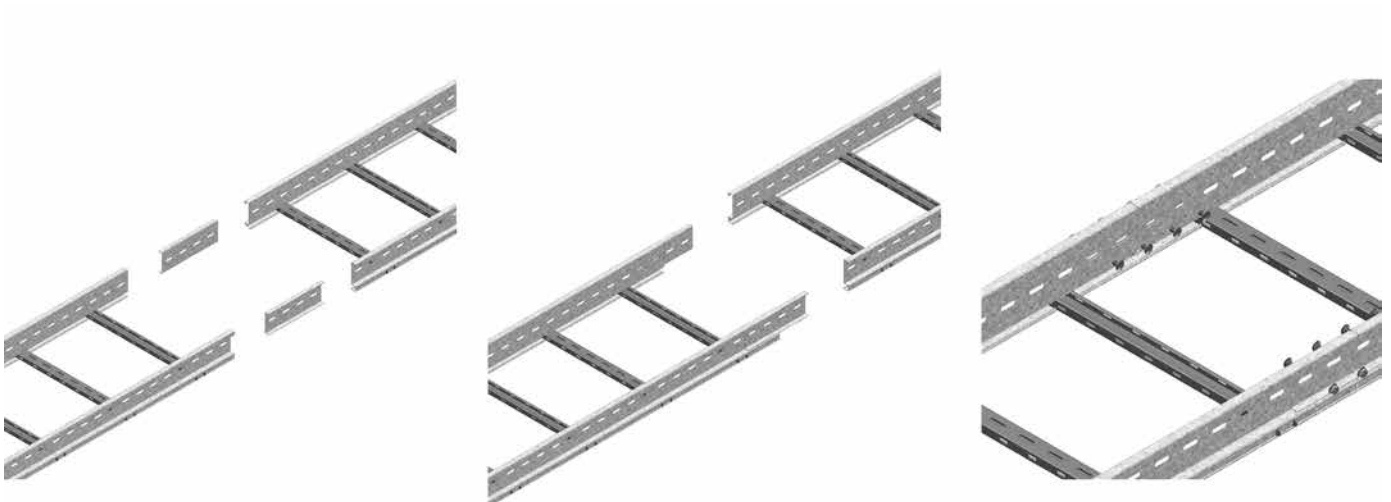
## I6KLLVS

### Technical information



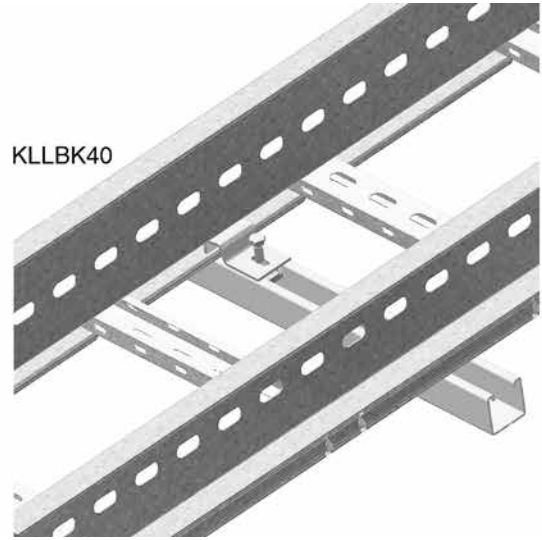
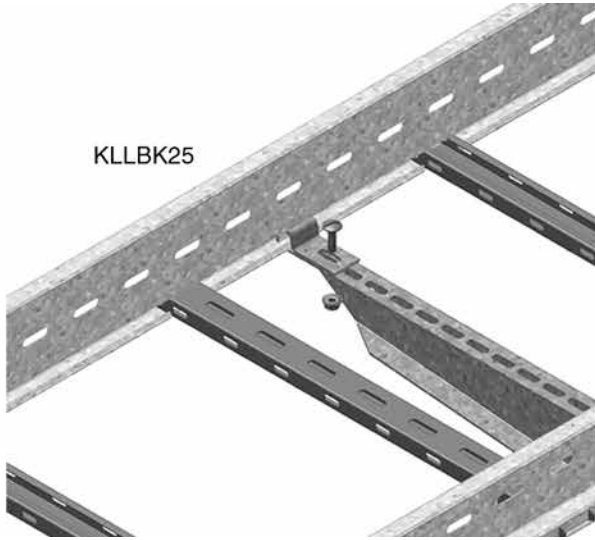
## I6KLLKP

### Technical information



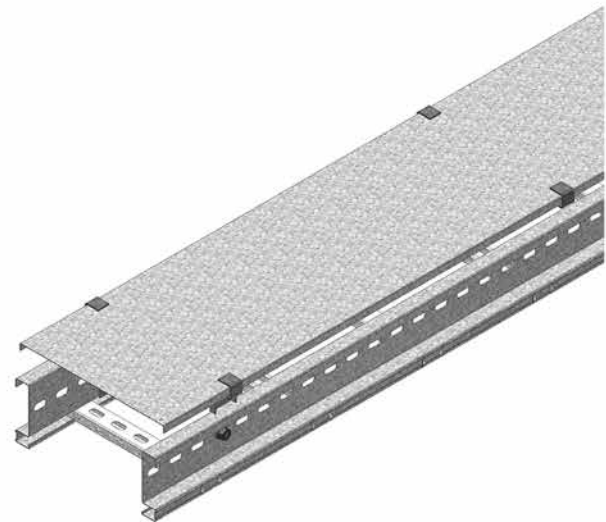
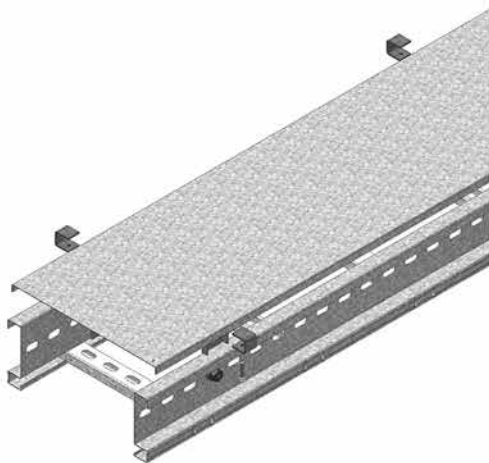
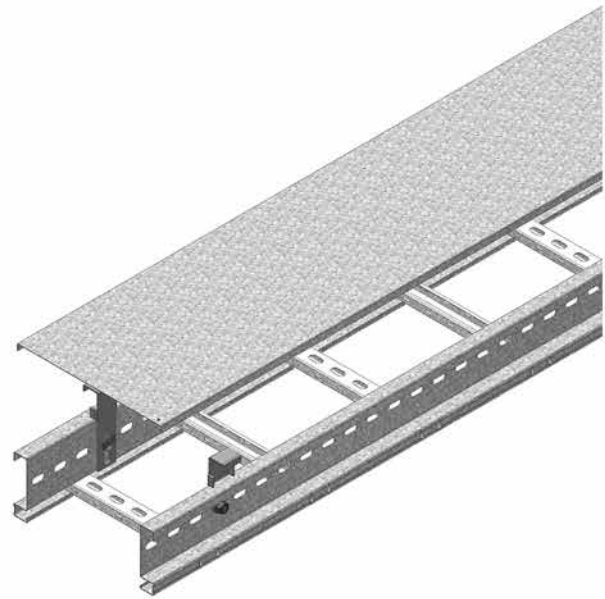
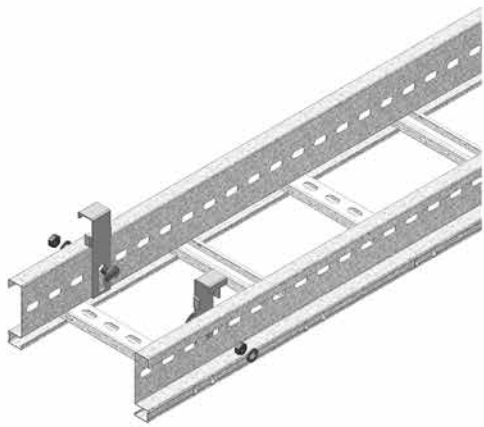
# I6KLLBK

## Technical information



# I6KLMZWABD

## Technical information



# I6KSF

## Technical information

